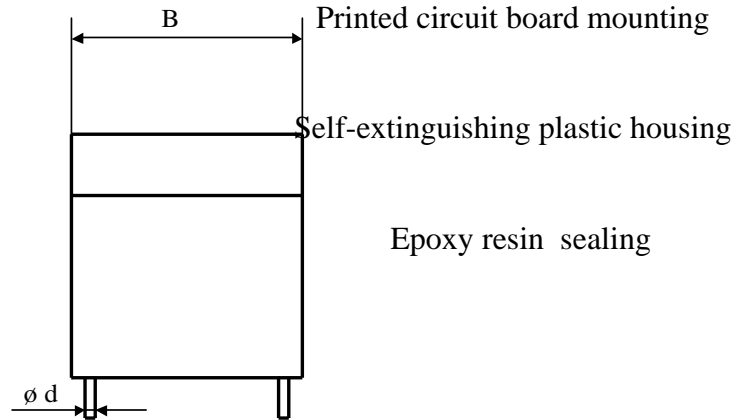
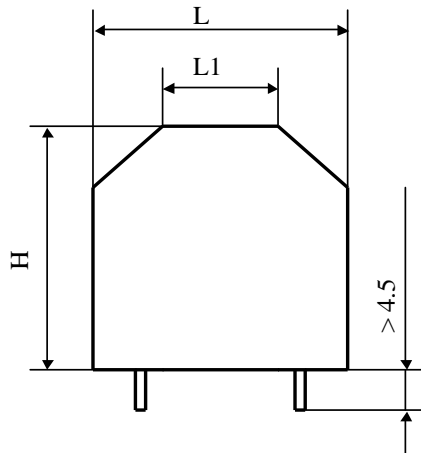
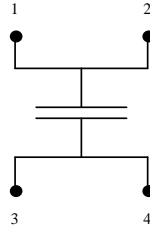
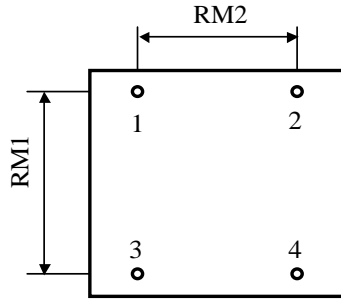


#5943

METALLIZED POLYPROPYLENE CAPACITORS

PPMJC-4 50-15.0 g (K)



Parameter	Symbol	Value	Unit	Condition
Capacitance	C	15	$\mu\text{F}$	1 V / 1 kHz
Tolerance		$\pm 10$	%	
Rated voltage	Un DC	500	VDC	
Rated voltage	Un AC	165	Veff	50 Hz to 400 Hz
RMS current	I RMS max.	21	Aeff	10 kHz to 50 k
slope of voltage variation	du/dt max.	64	V/ $\mu\text{sec}$	max. repetitive
Repetitive surge current	I cr. max	960	A	
Tangent delta	tg $\delta$	$\leq 7$	$10^{-4}$	1 kHz
Equivalent serie resistance	ESR	$\leq 3.93$	m $\Omega$	1 V / 10 kHz
Stray inductance	ESL	$\leq 15$	nH	
Insulation resistance	Ri x C	$> 20'000$	s	100 VDC - 1 min
Test voltage between terminals	U T1	1350	VDC	10 s
Climatic category		40/105/56		
Estimated operational life (-3%)		$> 100'000$	h	Un DC / 70°C
Dimension	Symbol	Value	Unit	Conditions
Width	B	36	mm	
Length	L	40	mm	
	L1	18	mm	
Height	H	40	mm	
Terminals tinned wire	$\phi$ d	1.2	mm	
RM1		30	mm	
RM2		25	mm	
	M1			
	M0			
	Modification	Date	Visa émetteur	

Condensateurs CH 1400 Yverdon, Switzerland  
 Kondensatoren Tel.: ++41 24 445 66 88  
 Capacitors Fax: ++41 24 445 66 89

**Leclanché**  
 Capacitors  
A FISCHER & TAUSSIG COMPANY

HJJ

www.Lcap.ch  
 09.06.2010

capinfo@Lcap.ch  
 faisab5943.XLS