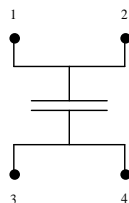
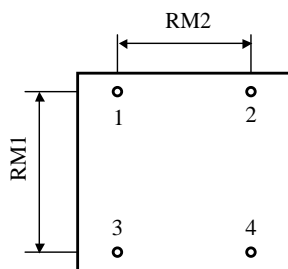


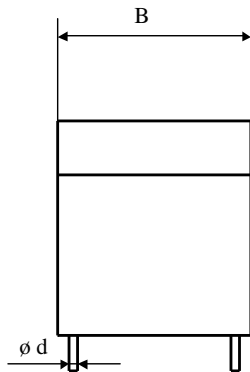
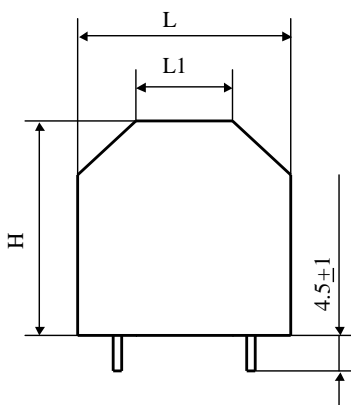
#5650

METALLIZED POLYPROPYLENE CAPACITORS

PPMJC 70-14.0 K



Printed circuit board mounting



Self-extinguishing plastic housing

Epoxy resin sealing

Parameter	Symbol	Value	Unit	Condition
Capacitance	C	14	µF	1 V / 1 kHz
Tolerance		± 10	%	
Rated voltage	Un DC	700	VDC	
Rated voltage	Un AC	120	Veff	50 Hz to 2 kHz
RMS current	I RMS max.	22	Aeff	10 to 100 kHz
slope of voltage variation	du/dt max.	50	V/µsec	max. repetitive
Repetitive surge current	I cr. max	700	A	
Tangent delta dielectric	tgδo	≤ 2	10 <sup>-4</sup>	1 to 100 kHz
Series resistance	RS	≤ 3.6	mΩ	1 V / 10 kHz
Stray inductance	ESL	≤ 15	nH	
Insulation resistance	Ri x C	> 20'000	s	100 VDC - 1 min
Test voltage between terminals	U T1	1050	VDC	10 s
Climatic category		40/105/56		
Estimated operational life (-3%)		> 100'000	h	Un DC / 70°C
Dimension	Symbol		Unit	Conditions
Width	B	36	mm	
Length	L	40	mm	
	L1	18	mm	
Height	H	40	mm	
Terminals tinned wire	ø d	1.2	mm	
RM1		30	mm	
RM2		25	mm	
	M1			
	M0			
	Modification	Date	Visa émetteur	

Condensateurs CH 1400 Yverdon-les-Bains  
 Kondensatoren Tel.: ++41 24 445 66 88  
 Capacitors Fax: ++41 24 445 66 89

**Le lanché**  
**Capacitors**  
A FROGMAN & TALSCHER COMPANY

HJJ

23.03.2007

faisab5650.XLS