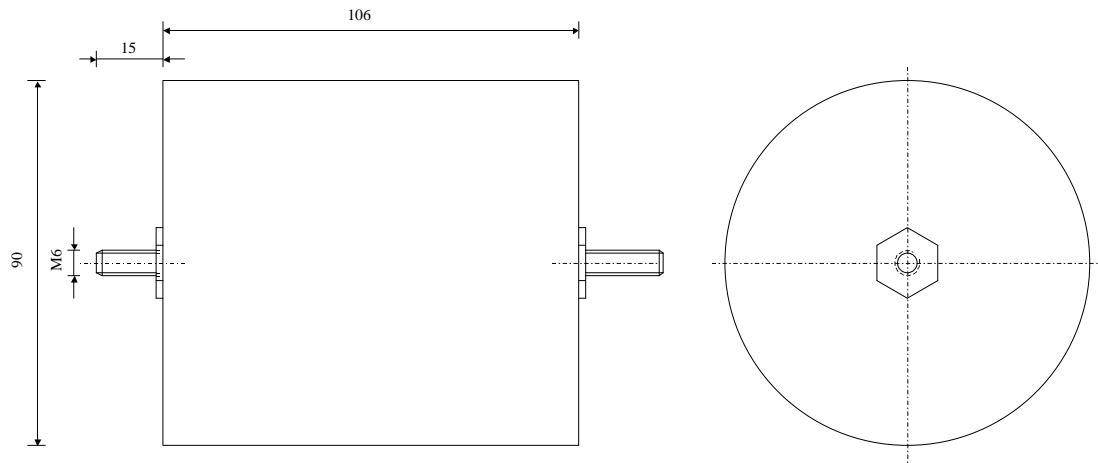


#5537

Discharge capacitors

PPMF 700-030 uv K



Dielectric of metallized polypropylene - Plastic tube

Polyurethane resin end sealing - Threaded outputs

Parameter	Symbol		Value	Unit	Condition
Capacitance	C		0.3	μF	1 V / 1 kHz
Tolerance			± 10	%	
Rated voltage	$U_n \text{ DC}$		7'000	VDC	
Reversal Voltage	$U \text{ inv.}$		60	%	max.
RMS Current max	I_{eff}		17	A	30 to 500 kHz
Repetitive surge current	$I \text{ cr. max}$		5000	A	
Tangente delta dielectric	$\text{tg}\delta_o$		2	10^{-4}	
Serie resistance	RS		≤ 15	$\text{m}\Omega$	
Stray inductance	ESL		≤ 80	nH	
Insulation resistance	$R_i \times C$		$> 30'000$	s	500 VDC - 1 min
Test voltage between terminals	$U \text{ T1}$		13'000	VDC	60 s
Climatic category (IEC68)			25/70/56		
Estimated operational life (-10%)			6×10^6	Discharges	5000 A / 7 kV 8 Hz
Dimension	Symbol			Unit	Conditions
Diameter	$\varnothing D$		90	mm	
Heigth	H		106	mm	
Terminals					
Thread			M6 x 15	mm	
	M1				
	M0				
	Modification	Date	Visa émetteur		

Condensateurs CH 1401 Yverdon-les-Bains
 Kondensatoren Tel.: ++41 24 445 66 88
 Capacitors Fax: ++41 24 445 66 89

Le Janché
Capacitors
A FISCHER & TAUSSCHÉ COMPANY

HJJ

26.01.2006

faisab5537.XLS