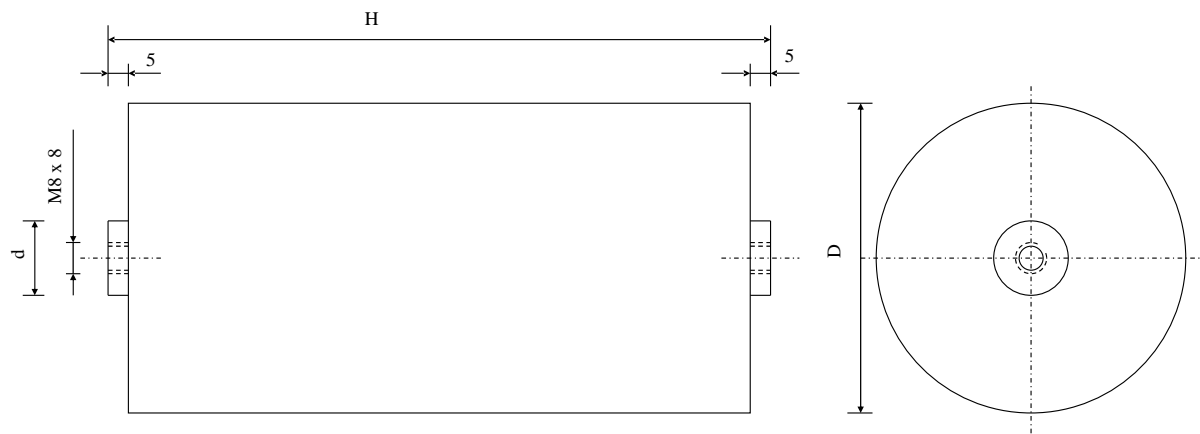


#6299

## Discharge CAPACITORS

PPMF 5000-184 uv K



Dielectric of metallized polypropylene - Plastic tube

Polyurethane resin end sealing - Threaded outputs

Parameter	Symbol	Value	Unit	Condition
Capacitance	C	0.084	$\mu\text{F}$	1 V / 1 kHz
Tolerance		$\pm 10$	%	
Rated voltage	Un DC	50'000	VDC	
Maximum Reverse Voltage	U inv.	50	%	
Maximum Peak current	I p	600i	A	
Maximum Repetition frequency	Fr	1 x		/ 60 s.
Rated voltage	Un AC	3000	VAC	50 Hz to 400 Hz
RMS Curre	Ieff max.	8	Aeff	10 kHz
Tangent delta	tg $\delta$	$\leq 9$	$10^{-4}$	1 V / 1 kHz
Equivalent serie resistance	ESR	$< 35$	m $\Omega$	1 V / 100 kHz
Stray inductance	ESL	$\leq 400$	nH	
Insulation resistance	Ri	$> 100'000$	M $\Omega$	500 VDC - 1 min
Test voltage between terminals	U T1	80'000	VDC	1 min.

Dimension	Symbol	Value	Unit	Conditions
Diameter	D	140	mm	
Height	H	$274 \pm 1.0$	mm	
Termina				
Thread		M8 x 8	mm	
	d	22		
	M1			
	M0			
Modification	Date	Visa émetteur		

Condensateurs CH 1400 Yverdon, Switzerland  
 Kondensatoren Tel.: ++41 24 445 66 88  
 Capacitors Fax: ++41 24 445 66 89

**Leclanché**  
**Capacitors**  
A FISCHER & TAUSSCH COMPANY

HJJ

www.Lcap.ch  
 15.05.2014

capinfo@Lcap.ch  
 faisab6299.XLS