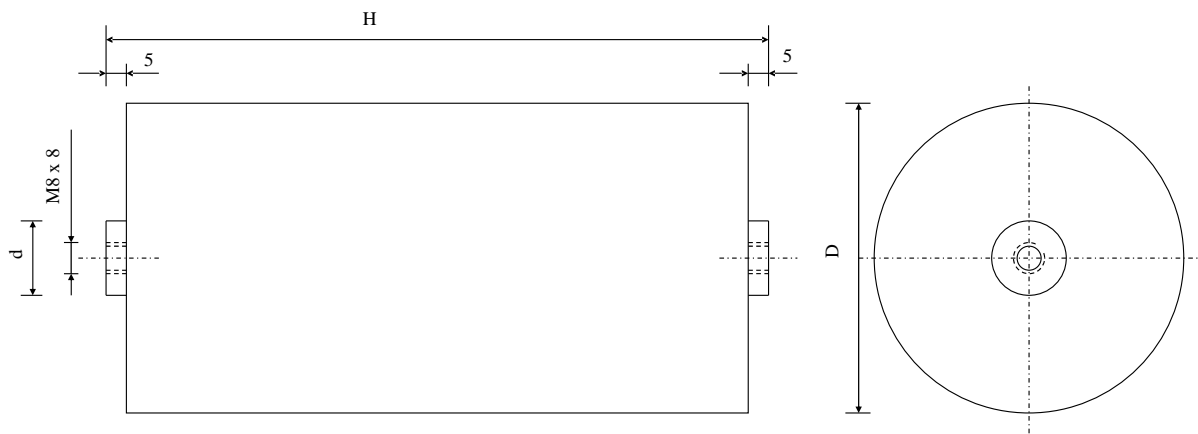


#6290

Discharge CAPACITORS

PPMF 5000-158 uv K



Dielectric of metallized polypropylene - Plastic tube

Polyurethane resin end sealing - Threaded outputs

Parameter	Symbol	Value	Unit	Condition
Capacitance	C	0.058	μF	1 V / 1 kHz
Tolerance		± 10	%	
Rated voltage	Un DC	50'000	VDC	
Maximum Reverse Voltage	U inv.	50	%	
Maximum Peak current	I p	5500	A	
Maximum Repetition frequency	Fr	1 x		/ 60 s.
Rated voltage	Un AC	3000	VAC	50 Hz to 400 Hz
RMS Curre	Ieff max.	7	Aeff	10 kHz
Tangent delta	tg δ	≤ 9	10^{-4}	1 V / 1 kHz
Equivalent serie resistance	ESR	< 40	m Ω	1 V / 100 kHz
Stray inductance	ESL	≤ 400	nH	
Insulation resistance	Ri	$> 100'000$	M Ω	500 VDC - 1 min
Test voltage between terminals	U T1	80'000	VDC	1 min.

Dimension	Symbol	Value	Unit	Conditions
Diameter	D	140	mm	
Height	H	250 ± 1.0	mm	
Terminals				
Thread		M8 x 8	mm	
	d	22		
	M1			
	M0	23.04.2014	HJJ	
	Modification	Date	Visa émetteur	

Condensateurs CH 1400 Yverdon, Switzerland
 Kondensatoren Tel.: ++41 24 445 66 88
 Capacitors Fax: ++41 24 445 66 89

Lecranché
Capacitors
A FRICHER & SAUSCHER COMPANY

HJJ

www.Lcap.ch
 15.04.2014

capinfo@Lcap.ch
 faisab6290.XLS