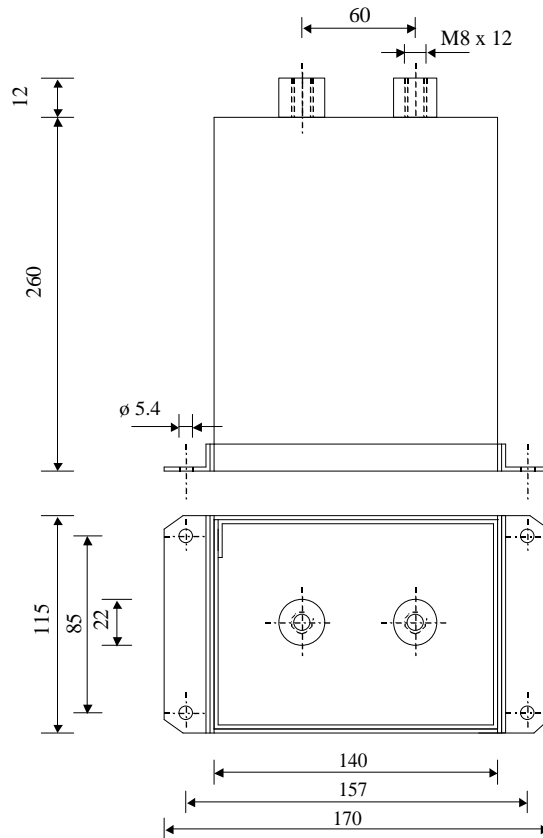


#6210

Discharge Capacitors

PPMF 470-40.0 r J



Dielectric of metallized polypropylene

Threaded outputs

Resin end sealing

Aluminium case
thick 1.2 mm

Parameter	Symbol	Value	Unit	Condition
Capacitance	C	40	μF	1 V / 1 kHz
Tolerance		± 5	%	
Rated voltage	Un DC	4'700	VDC	
Maximum voltage	Us max.	5'000	V	non. rep.
Rated voltage	Un AC	850	Veff	50 Hz
RMS Current	Ieff max	50	Aeff	2 kHz ... 100 kHz
slope of voltage variation	du/dt	17.5	V/ μsec	repetitive
Repetitive surge current	I cr.	700	A	
Tangent delta	tg δ	14	10^{-4}	1 V / 1 kHz
Equivalent serie resistance	ESR	≤ 4.7	m Ω	10 kHz
Stray inductance	ESL	≤ 250	nH	
Insulation resistance	Ri x C	$> 20'000$	s	500 VDC - 1 min
Test voltage between terminals	U T1	7'040	VDC	10 s
Test voltage between terminals to case	U T2	7'040	VDC	10 s
Operating temp.		- 25 / + 70 °C		
Estimated operational life (-3%)		45'000	h	4700 V / 700 A 5 Hz max / Amb. Temp 55 °C max
Dimension	Symbol	Value	Unit	Conditions
Width	B	115	mm	
Length	L	140	mm	
Height	H	260	mm	
Thread		M8 x 12	mm	
Thread spacing		60	mm	
	M1			
	M0			
	Modification	Date	Visa émetteur	

Condensateurs CH 1400 Yverdon-les-Bains
Kondensatoren Tel.: +41 24 445 66 88
Capacitors Fax: +41 24 445 66 89

Leclanché
Capacitors
A FISCHER & TOSCHKE COMPANY

HJJ

21.08.2013

faisab6210.XLS