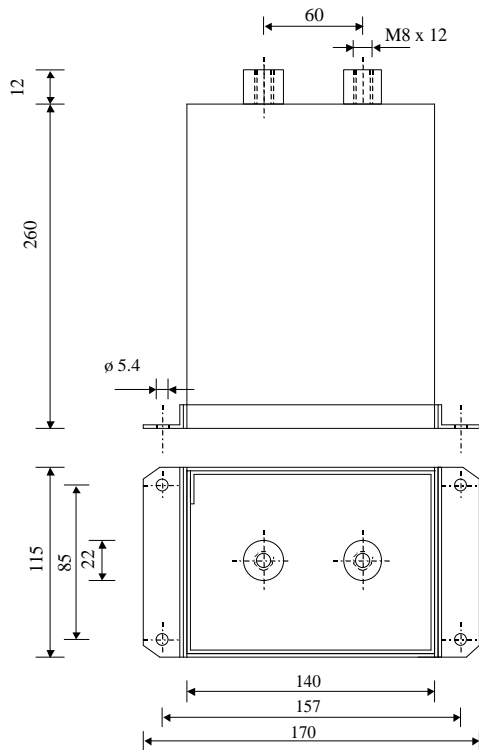


#5493

Discharge Capacitors

PPMF 440-40.0 r J



Dielectric of metallized polypropylene

Threaded outputs

Resin end sealing

Aluminium case
thick 1.2 mm

| Parameter | Symbol | Value | Unit | Condition |
|--|-------------|----------------|--------------------|---|
| Capacitance | C | 40 | μF | 1 V / 1 kHz |
| Tolerance | | ± 5 | % | |
| Rated voltage | Un DC | 4'400 | VDC | |
| Maximum voltage | Us max. | 4'800 | V | non. rep. |
| Rated voltage | Un AC | 960 | Veff | 50 Hz |
| RMS Current | Ieff max | 81 | Aeff | 2 kHz ... 100 kHz |
| slope of voltage variation | du/dt max. | 26.3 | V/ μsec | max. repetitive |
| Repetitive surge current | I cr. max | 1050 | A | |
| Tangent delta | tg δ | 13 | 10 ⁻⁴ | 1 V / 1 kHz |
| Equivalent serie resistance | ESR | ≤ 4.3 | m Ω | 10 kHz |
| Stray inductance | ESL | ≤ 250 | nH | |
| Insulation resistance | Ri x C | > 20'000 | s | 500 VDC - 1 min |
| Test voltage between terminals | U T1 | 7'040 | VDC | 10 s |
| Test voltage between terminals to case | U T2 | 7'040 | VDC | 10 s |
| Operating temp. | | - 25 / + 70 °C | | |
| Estimated operational life (-3%) | | 45'000 | h | 4400 V / 1050 A 45 Hz max / Amb. Temp 55 °C max |

| Dimension | Symbol | Value | Unit | Conditions |
|----------------|--------|---------|------|------------|
| Width | B | 115 | mm | |
| Length | L | 140 | mm | |
| Height | H | 260 | mm | |
| Thread | | M8 x 12 | mm | |
| Thread spacing | | 60 | mm | |

| | | | | |
|--|--------------|------------|---------------|--|
| | M1 | | | |
| | M0 | 28.04.2008 | HJJ | |
| | Modification | Date | Visa émetteur | |

Condensateurs CH 1400 Yverdon-les-Bains
 Kondensatoren Tel.: +41 24 445 66 88
 Capacitors Fax: +41 24 445 66 89

Le Janché
 Capacitors
A FISCHER & TADSCHE COMPANY

HJJ

31.05.2005

faisab5493.XLS