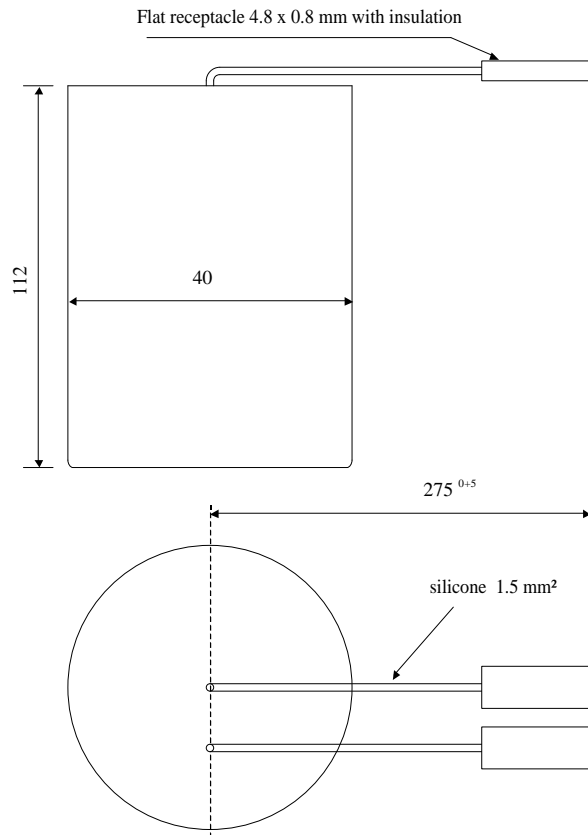


#5545

## Defibrillator Capacitor

PPMF 310-40.0 c3



Dielectric of metallized polypropylene

polyurethane resin end sealing

Aluminium case

Parameter	Symbol		Value	Unit	Condition
Capacitance	C		40	μF	1 V / 100 Hz
Tolerance			- 2 + 8 %	%	
Rated voltage	Un DC		3100	VDC	
Max peak current	I cr. max		150	A	
Tangente delta	tgδ		90	10 <sup>-4</sup>	1 V / 100 Hz
Insulation resistance between terminals	Ri		> 300	MΩ	100 VDC - 1 min
Test voltage between terminals	U T1		3410	VDC	2 s.
Test voltage terminals to case	U T2		5000	VDC	1 min
Operating temp.			- 0 / + 40 °C		
Estimated operational life (-5%)			> 3000	shocks	3100 V / 150 A
Dimension	Symbol			Unit	Conditions
Diameter	D		40	mm	
Height	H		112		
Terminals					
silicone cable	l		275	mm	
section	s		1.5	mm <sup>2</sup>	
Flat receptable with insulation			4.8 x 0.8	mm	
	M1				
	M0				
	Modification	Date	Visa émetteur		

Condensateurs CH 1401 Yverdon-les-Bains  
 Kondensatoren Tel.: ++41 24 445 66 88  
 Capacitors Fax: ++41 24 445 66 89

**Le Janché**  
**Capacitors**  
A FROEMER & FAUSCHÉ COMPANY

HJJ

22.03.2006

faisab5545.XLS