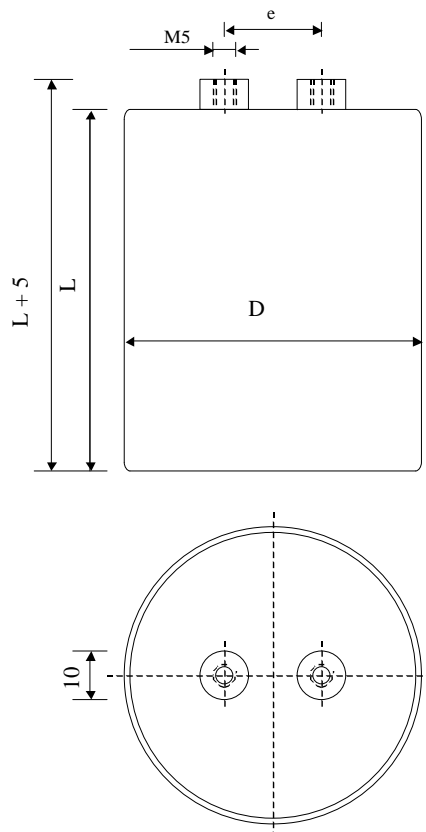


#5936

## Discharge CAPACITORS

PPMF 200-12.5 c6 K



Dielectric of metallized polypropylene

Threaded outputs

Resin end sealing

Aluminium case

Delivered with Nylon Clamp NRS 75

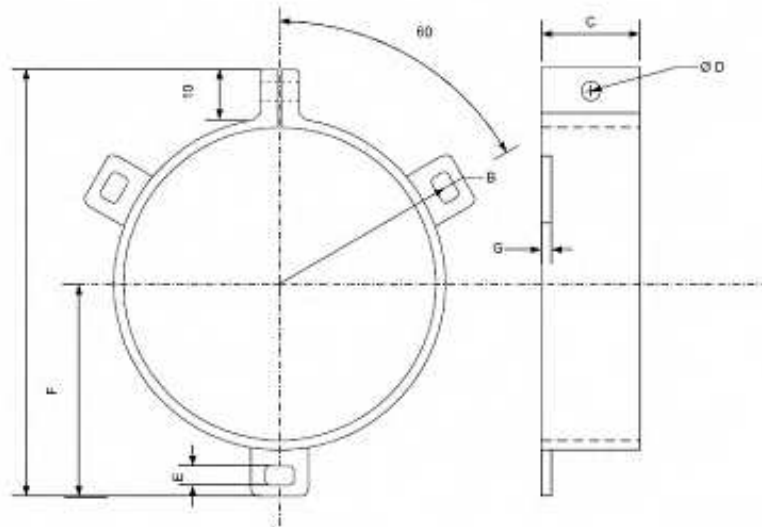
Parameter	Symbol	Value	Unit	Condition
Capacitance	C	12.5	$\mu\text{F}$	1 V / 1 kHz
Tolerance		$\pm 10$	%	
Rated voltage	Un DC	2000	VDC	
Rated voltage	Un AC	800	VAC	50 Hz to 300 Hz
Surge voltage	Us	2500	V	
RMS Current permanent	I <sub>eff max.</sub>	35	A <sub>eff</sub>	2 kHz to 100 kHz
Repetitive surge current	I <sub>cr. max</sub>	1500	A	
Equivalent serie resistance	ESR	4.5	m $\Omega$	1 V / 10 kHz
Stray inductance	ESL	$\leq 170$	nH	
Insulation resistance	Ri x C	$\geq 10'000$	s	500 VDC - 1 min
Test voltage between terminals	U T1	3000	VDC	10 s
Test voltage terminals to case	U T2	3000	VAC	50 Hz / 1 min
Climatic category		25/70/56		
Estimated operational life (-5 %)		$> 100 \times 10^6$	Discharges	2000 V / 1500 A
Dimension	Symbol		Unit	Conditions
Diameter	D	75	mm	
Length	L	110	mm	
Terminals				
Thread		M5 x 10	mm	
Thread spacing	e	32	mm	
	M1			
	M0			
	Modification	Date	Visa émetteur	

Condensateurs CH 1400 Yverdon, Switzerland  
 Kondensatoren Tel.: ++41 24 447 22 82  
 Capacitors Fax: ++41 24 447 22 85

**Leclanché**  
**Capacitors**  
A FISCHER & TAUSSCH COMPANY

HJJ www.Lcap.ch 03.06.2010 capinfo@Lcap.ch  
 faisab5936.XLS

Can diameter 50 / 65 / 75



Order Code	CAN Ø	A	B	C	D	E	F	G
NRS 50	50	74	32	25	4	4,7	37	2,5
NRS 65	65	87	38,5	25	4	4,7	43,5	2,5
NRS 75	75	100	45	25	4	4,7	50	2,5
Material : Nylon - all dim. in mm								