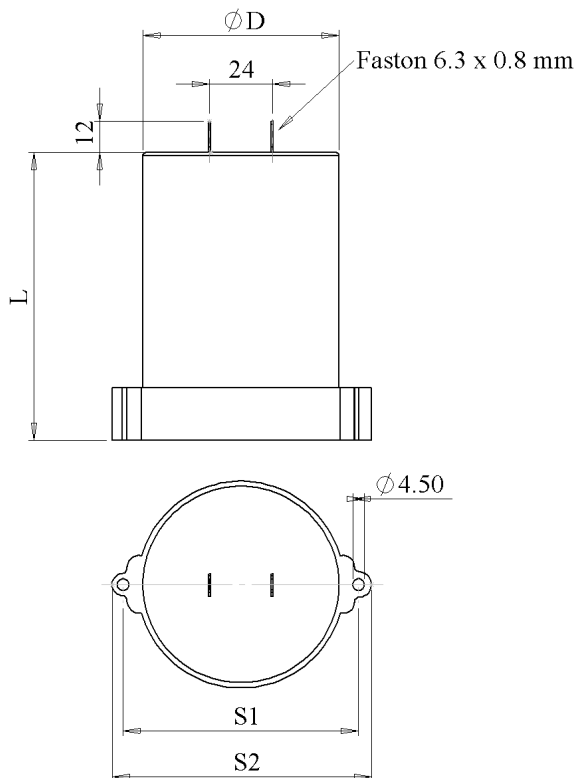


#5893

## Discharge CAPACITORS

PPMF 200-10.0 c2w K



Dielectric of metallized polypropylene

FASTON 6.3 x 0.8 mm

Resin end sealing

Aluminium case

Plastic ring clamp

Parameter	Symbol	Value	Unit	Condition
Capacitance	C	10	$\mu\text{F}$	1 V / 1 kHz
Tolerance		$\pm 10$	%	
Rated voltage	Un DC	2000	VDC	
Rated voltage	Un AC	800	VAC	50 Hz to 300 Hz
Surge voltage	Us	2500	V	
RMS Current permanent	I <sub>eff max.</sub>	20	A <sub>eff</sub>	1 kHz to 100 kHz
Repetitive surge current	I <sub>cr. max</sub>	1300	A	
Equivalent serie resistance	ESR	5.5	m $\Omega$	1 V / 10 kHz
Stray inductance	ESL	$\leq 170$	nH	
Insulation resistance	R <sub>i x C</sub>	$\geq 10'000$	s	500 VDC - 1 min
Test voltage between terminals	U T1	3000	VDC	10 s
Test voltage terminals to case	U T2	3000	VAC	50 Hz / 1 min
Climatic category		25/70/56		
Estimated operational life (-5 %)		$> 100 \times 10^6$	Discharges	2000 V / 1300 A
Dimension	Symbol		Unit	Conditions
Diameter	D	75	mm	
Length	L	110	mm	
Terminals				
fast-on		6.3 x 0.8	mm	
	S1	90		
	S2	101		
	M1			
	M0			
	Modification	Date	Visa émetteur	

Condensateurs CH 1400 Yverdon-les-Bains  
 Kondensatoren Tel.: ++41 24 447 22 82  
 Capacitors Fax: ++41 24 447 22 85

**Le lanché**  
**Capacitors**  
A FISCHER & TAUSSCH COMPANY

HJJ

26.01.2010

faisab5893.XLS