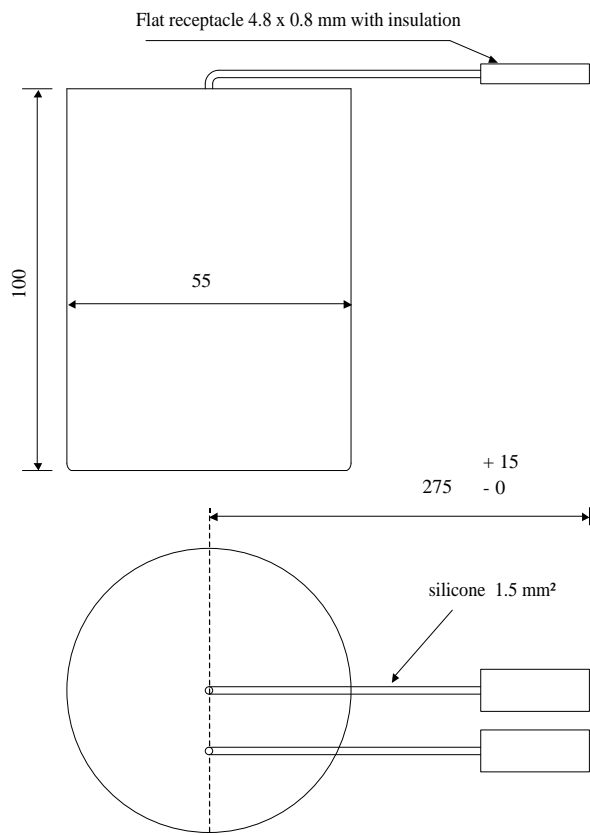


#5710

Defibrillator Capacitor

PPMF 170-200.0 c3 J



Dielectric of metallized polypropylene

polyurethane resin end sealing

Aluminium case

| Parameter | Symbol | | Value | Unit | Condition |
|---|--------------|------|----------------|------------------|-----------------|
| Capacitance | C | | 200 | μF | 1 V / 100 Hz |
| Tolerance | | | ± 5 | % | |
| Rated voltage | Un DC | | 1700 | VDC | |
| Max peak current | I cr. max | | 85 | A | |
| Tangent delta | tgδ | | 100 | 10 ⁻⁴ | 1 V / 100 Hz |
| Insulation resistance between terminals | Ri | | > 60 | MΩ | 100 VDC - 1 min |
| Test voltage between terminals | U T1 | | 1800 | VDC | 2 s. |
| Test voltage terminals to case | U T2 | | 2550 | VDC | 1 min |
| Operating temp. | | | - 20 / + 60 °C | | |
| Estimated operational life (-5%) | | | > 3000 | shocks | 1700 V / 50 Ω |
| | | | | | |
| | | | | | |
| Dimension | Symbol | | | Unit | Conditions |
| Diameter | D | | 55 | mm | |
| Height | H | | 100 | | |
| Terminals | | | | | |
| silicone cable | l | | 275 | mm | |
| section | s | | 1.5 | mm ² | |
| Flat receptable with insulation | | | 4.8 x 0.8 | mm | |
| | | | | | |
| | M1 | | | | |
| | M0 | | | | |
| | Modification | Date | Visa émetteur | | |

Condensateurs CH 1400 Yverdon-les-Bains
 Kondensatoren Tel.: ++41 24 445 66 88
 Capacitors Fax: ++41 24 445 66 89

Le Janché
Capacitors
A FROBEN & YALSCHE COMPANY

HJJ

11.03.2008

faisab5710.XLS