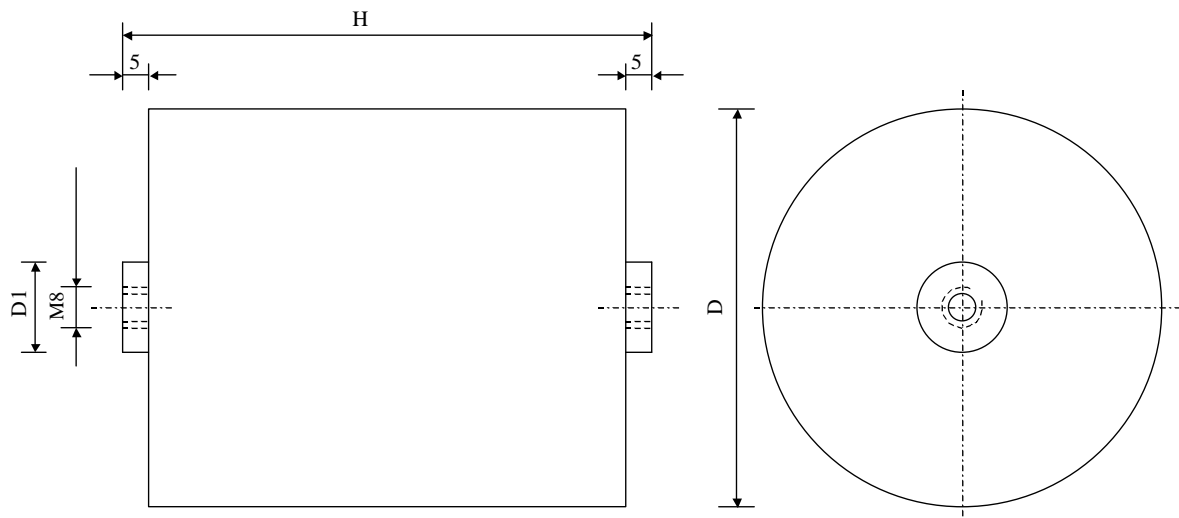


#6068

Discharge CAPACITORS

PPMF 1000-20.0 uv K



Dielectric of metallized polypropylene - Plastic tube

Polyurethane resin end sealing - Threaded outputs

Parameter	Symbol		Value	Unit	Condition
Capacitance	C		20	μF	1 V / 1 kHz
Tolerance			± 10	%	
Rated Voltage	$U_n \text{ DC}$		10	kVDC	
Peak current	I_p		5	kA	
Tangent delta	$\text{tg}\delta$		< 25	10^{-4}	1 kHz
Stray inductance	ESL		< 25	nH	
Insulation resistance	$R_i \times C$		$> 20'000$	s	500 VDC - 1 min
Test voltage between terminals	U_{T1}		13	kVDC	1 min.
Climatic category (IEC68)			25/70/56		
Estimated operational life			$> 8'000'000$	discharges	10 kV / 5 kA / 50°C
Time between discharge			40	s	
Dimension	Symbol			Unit	Conditions
Diameter	$\varnothing D$		140	mm	
Height	H		161 ± 1.0	mm	
Terminals					
Thread			M8 x 8	mm	
	D1		22	mm	
	M1				
	M0				
	Modification	Date	Visa émetteur		

Condensateurs CH 1400 Yverdon, Switzerland
 Kondensatoren Tel.: ++41 24 445 66 88
 Capacitors Fax: ++41 24 445 66 89

Leclanché
Capacitors
A FISCHER & SAUSCHIE COMPANY

HJJ

www.Lcap.ch
 21.11.2011

capinfo@Lcap.ch
 faisab6068.XLS