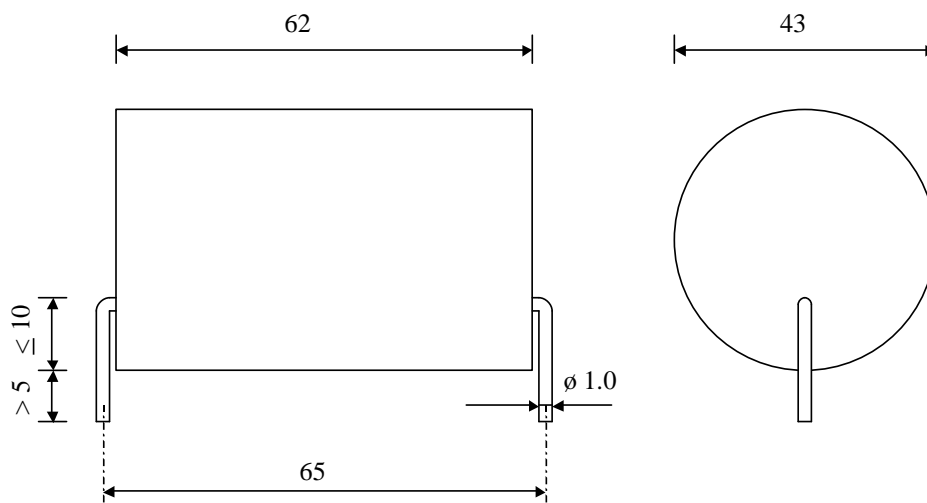


#5432

Discharge Capacitors

PPMF 100-20.0 d K



Dielectric of metallized polypropylene

Plastic sleeve / Epoxy resin end sealing

Parameter	Symbol		Value	Unit	Condition
Capacitance	C		20	μF	1 V / 1 kHz
Tolerance			± 10	%	
Rated voltage	Un DC		1000	VDC	
Rated voltage	Un AC		330	VAC	50 - 300 Hz
RMS Current	I _{eff} max.		12	A _{eff}	f > 300 Hz
slope of voltage variation	du/dt max.		21.8	V/ μsec	max. repetitive
Repetitive surge current	I _{cr} max		435	A	20 Hz max
Tangent delta	tg δ		9	10^{-4}	1 V / 1 kHz
Tangent delta	tg δ		70	10^{-4}	1 V / 10 kHz
Stray inductance	ESL		≤ 60	nH	
Insulation resistance	R _i		1000	M Ω	100 VDC - 1 min
Test voltage between terminals	U _{T1}		1440	VDC	10 s
Operating temperature			- 40 / + 85	$^{\circ}\text{C}$	
Estimated operational life (-10%)			10^7	Pulses	435 A / 0.6 Un 20 Hz max / $\leq 45^{\circ}\text{C}$
Dimension	Symbol			Unit	Conditions
Diameter	\varnothing		43	mm	
Height	H		62	mm	
Terminals					
Axial tinned wire	d		1	mm	
	RM		65	mm	
	M1				
	M0	21.12.2007	HJJ		
	Modification	Date	Visa émetteur		

Condensateurs CH 1400 Yverdon-les-Bains
 Kondensatoren Tel.: ++41 24 445 66 88
 Capacitors Fax: ++41 24 445 66 89

Le Janché
Capacitors
A FISCHER & VAUSCHÉ COMPANY

289

13.08.2004

faisab5432.XLS