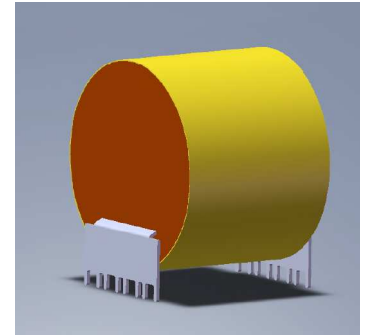
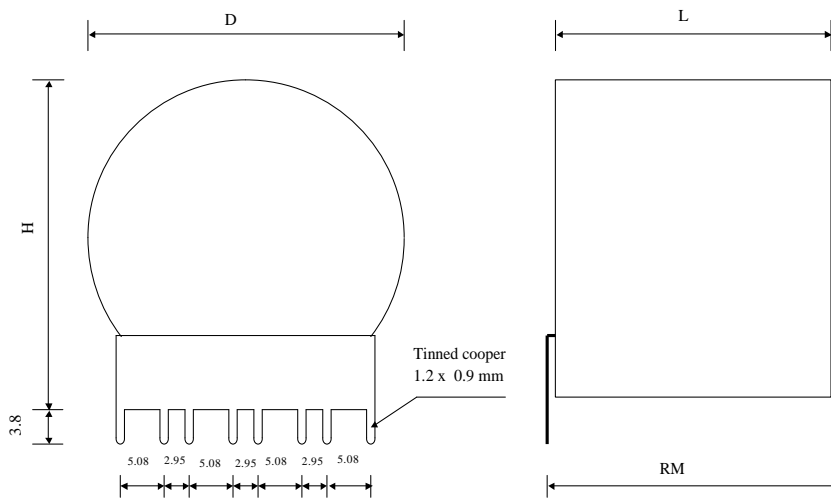


#5999

METALLIZED POLYPROPYLENE CAPACITORS

PPMCI 80-18.0 K



Dielectric of metallized polypropylene

Polyester wrapped flammability UL 510 / Epoxy resin sealing UL 94-V0

Terminals for connection to Printed Circuit Board

Parameter	Symbol	Value	Unit	Condition
Capacitance	C	18	μF	1 V / 1 kHz
Tolerance		± 10	%	
Rated voltage	Un DC	800	VDC	
Rated voltage	Un AC	150	Veff	
RMS current permanent	Ieff max	39	Aeff	10 kHz
slope of voltage variation	du/dt max.	70	V/ μsec	
Tangent delta	tg δ	< 5	10^{-4}	1 V / 1 kHz
Equivalent series resistance	ESR	< 1.4	m Ω	1 V / 10 kHz
Stray inductance	ESL	≤ 13	nH	
Insulation resistance	Ri	> 1120	M Ω	500 VDC - 1 min
Test voltage between terminals	UT1	1200	VDC	10 s
Climatic category		40/105/56		
Estimated operational life (-3%)		> 90'000	h	Un DC / 70°C

Dimension	Symbol	Value	Unit	Conditions
Diameter	D max	45	mm	
Length	L max	33.5	mm	
Height	H max	46	mm	
Terminals				
Tinned cooper	(8 x)	1.2 x 0.9	mm	
RM		37.5 \pm 0.5	mm	
	M1			
	M0			
	Modification	Date	Visa émetteur	

Condensateurs CH 1400 Yverdon, Switzerland
 Kondensatoren Tel.: ++41 24 445 66 88
 Capacitors Fax: ++41 24 445 66 89

Lectranché
Capacitors
A FIDENEY & TASCHE COMPANY

HJJ

www.Lcap.ch
 21.01.2011

capinfo@Lcap.ch
 faisab5999.XLS