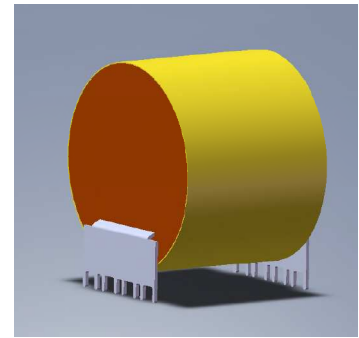
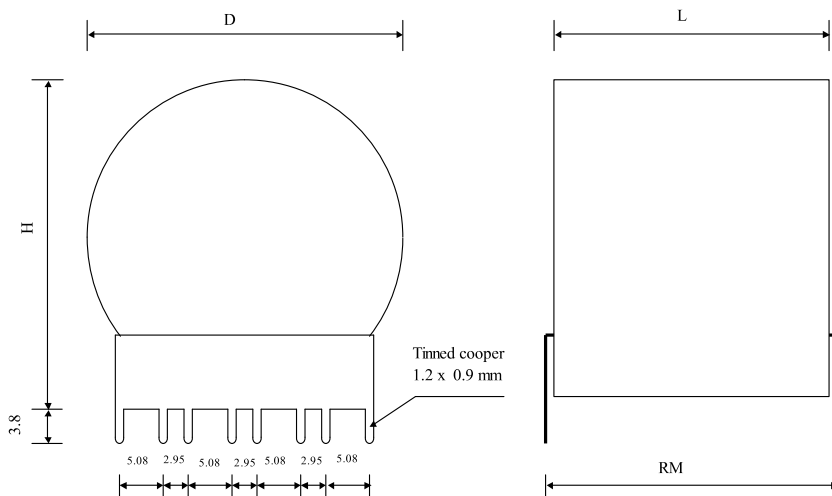


#5927

METALLIZED POLYPROPYLENE CAPACITORS

PPMCI 60-15.0 K



Preliminary

Dielectric of metallized polypropylene

Polyester wrapped flammability UL 510 / Epoxy resin sealing UL 94-V0

Terminals for connection to Printed Circuit Board

Parameter	Symbol	Value	Unit	Condition
Capacitance	C	15	$\mu\text{F}$	1 V / 1 kHz
Tolerance		$\pm 10$	%	
Rated voltage	Un DC	600	VDC	
RMS current permanent	I <sub>eff max.</sub>	25	A <sub>eff</sub>	200 kHz / 80°C
slope of voltage variation	du/dt max.	100	V/ $\mu\text{sec}$	
Tangent delta	tg $\delta$	< 5	$10^{-4}$	1 V / 1 kHz
Equivalent series resistance	ESR	<	m $\Omega$	1 V / 10 kHz
Stray inductance	ESL	$\leq 18$	nH	
Insulation resistance	R <sub>i</sub>	> 600	M $\Omega$	500 VDC - 1 min
Test voltage between terminals	U T1	960	VDC	10 s
Operating temp.		- 25 / + 80 °C		
Estimated operational life (-3%)		70'000	h	25 A RMS / 200 kHz 80°C
Dimension	Symbol	Value	Unit	Conditions
Diameter	D max	50	mm	
Length	L max	39.5	mm	
Height	H max	51	mm	
Terminals				
Tinned cooper	( 8 x )	1.2 x 0.9	mm	
RM			mm	
	M1			
	M0			
	Modification	Date	Visa émetteur	

Condensateurs CH 1400 Yverdon, Switzerland  
 Kondensatoren Tel.: ++41 24 445 66 88  
 Capacitors Fax: ++41 24 445 66 89

**Leclanché**  
**Capacitors**  
A FISCHER & TAUSSIG COMPANY

HJJ

www.Lcap.ch  
 19.05.2010

capinfo@Lcap.ch  
 faisab5927.XLS