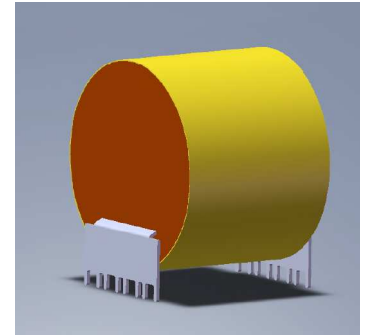
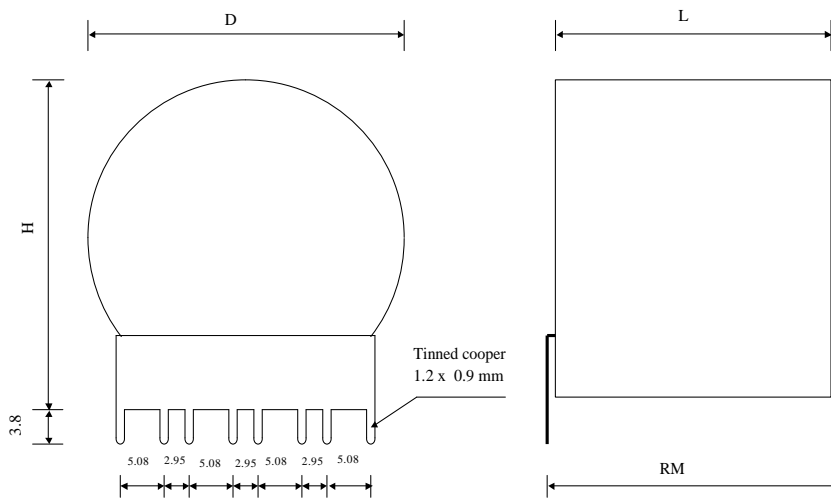


#5997

METALLIZED POLYPROPYLENE CAPACITORS

PPMCI 110-5.5 K



Dielectric of metallized polypropylene

Polyester wrapped flammability UL 510 / Epoxy resin sealing UL 94-V0

Terminals for connection to Printed Circuit Board

Parameter	Symbol		Value	Unit	Condition
Capacitance	C		5.5	μF	1 V / 1 kHz
Tolerance			± 10	%	
Rated voltage	Un DC		1100	VDC	
Rated voltage	Un AC		250	Veff	
RMS current permanent	Ieff max		38	Aeff	10 kHz
slope of voltage variation	du/dt max.		300	V/ μsec	
Tangent delta	tg δ		< 3	10^{-4}	1 V / 1 kHz
Equivalent series resistance	ESR		< 1.6	m Ω	1 V / 10 kHz
Stray inductance	ESL		≤ 13	nH	
Insulation resistance	Ri		> 3650	M Ω	500 VDC - 1 min
Test voltage between terminals	U T1		1800	VDC	10 s
Climatic category			40/105/56		
Estimated operational life (-3%)			> 100'000	h	Un DC / 70°C
Dimension	Symbol			Unit	Conditions
Diameter	D max		45	mm	
Length	L max		33.5	mm	
Height	H max		46	mm	
Terminals					
Tinned cooper	(8 x)		1.2 x 0.9	mm	
RM			37.5 \pm 0.5	mm	
	M1				
	M0				
	Modification	Date	Visa émetteur		

Condensateurs CH 1400 Yverdon, Switzerland
 Kondensatoren Tel.: ++41 24 445 66 88
 Capacitors Fax: ++41 24 445 66 89

Leclanché
Capacitors
A FISCHER & TAUSSCHKE COMPANY

HJJ

www.Lcap.ch
 21.01.2011

capinfo@Lcap.ch
 faisab5997.XLS