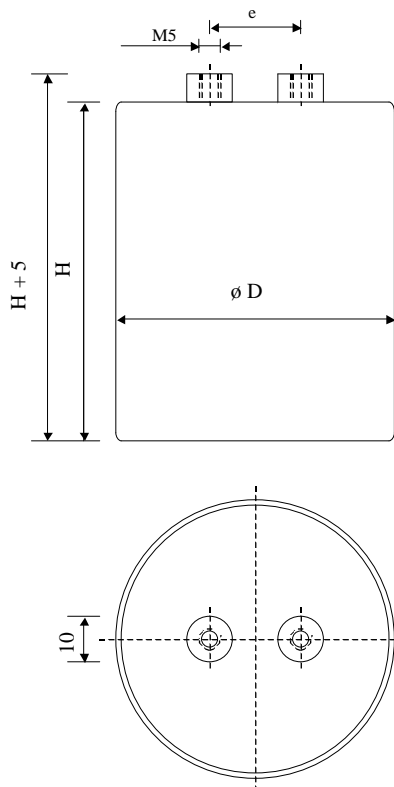


#6174

METALLIZED POLYPROPYLENE CAPACITORS

PPM 90-270.0 c6 K



Dielectric of metallized polypropylene

Threaded outputs

Resin end sealing

Aluminium case

| Parameter | Symbol | Value | Unit | Condition |
|-----------------------------------|-----------------------|---------------|--------------------|-----------------|
| Capacitance | C | 270 | μF | 1 V / 1 kHz |
| Tolerance | | ± 10 | % | |
| Rated voltage | Un DC | 900 | VDC | |
| RMS Current | I _{eff} max. | 55 | A _{eff} | 10 kHz / 40°C |
| slope of voltage variation | du/dt max. | 6.5 | V/ μsec | max. repetitive |
| Equivalent serie resistance | ESR | < 2.2 | m Ω | 1 V / 10 kHz |
| Stray inductance | ESL | ≤ 65 | nH | |
| Insulation resistance | Ri x C | $\geq 20'000$ | s | 300 VDC - 1 min |
| Test voltage between terminals | U T1 | 1350 | VDC | 10 s |
| Test voltage terminals to case | U T2 | 2500 | VAC | 50 Hz / 1 min |
| Climatic category | | 25/70/56 | | |
| Estimated operational life (-5 %) | | 100'000 | h | 900 V / 65°C |

| Dimension | Symbol | Value | Unit | Conditions |
|----------------|--------------|------------|---------------|------------|
| Diameter | D | 65 | mm | |
| Height | H | 143 | mm | |
| Terminals | | | | |
| Thread | | M5 x 10 | mm | |
| Thread spacing | e | 28.5 | mm | |
| | | | | |
| | | | | |
| | | | | |
| | M1 | 11.06.2013 | HJJ | |
| | M0 | 29.04.2013 | HJJ | |
| | Modification | Date | Visa émetteur | |

Condensateurs CH 1400 Yverdon-les-Bains
 Kondensatoren Tel.: ++41 24 445 66 88
 Capacitors Fax: ++41 24 445 66 89

Leclanché
Capacitors
A FISCHER & TAUSSCHÉ COMPANY

HJJ

17.04.2013

faisab6174.XLS