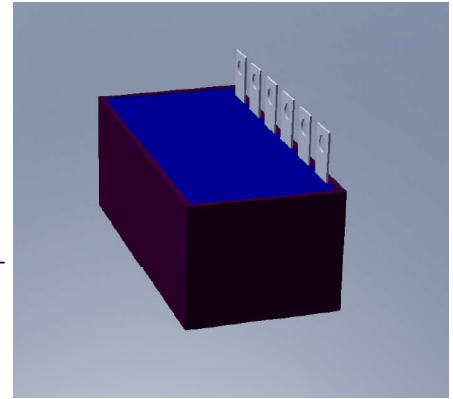
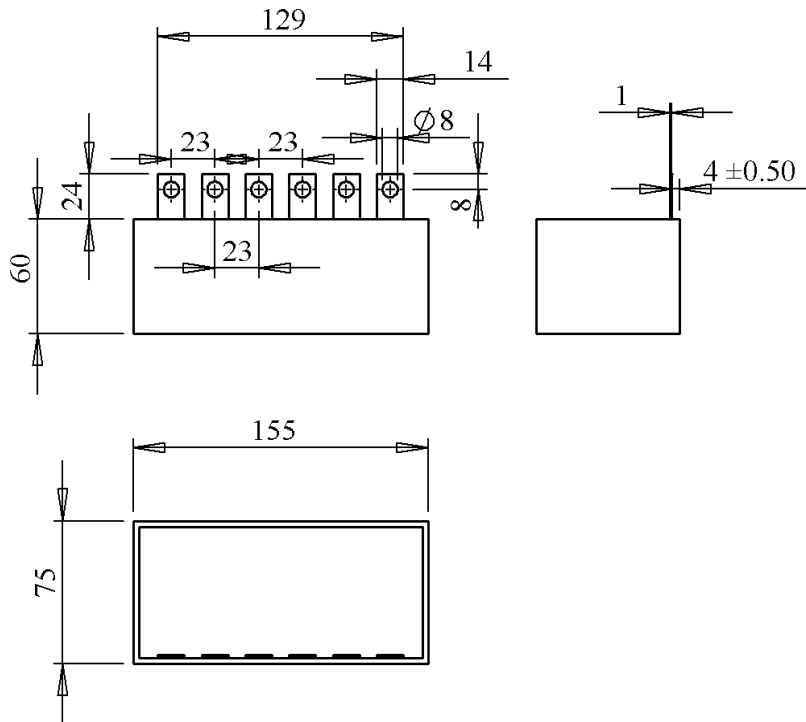


#5844

METALLIZED POLYPROPYLENE CAPACITORS

PPM 80-150.0 ru K

Dielectric
polypropylene metallized

Plastic case

polyurethan resin filled

Parameter	Symbol		Value	Unit	Condition
Capacitance	C		150	μF	1 V / 1 kHz
Tolerance			± 10	%	
Rated voltage	Un DC		800	VDC	
Rated voltage	Un AC		120	VAC	50 Hz
Current	I RMS		55	A	20 kHz
slope of voltage variation	du/dt max.		20	V/μ sec	
Repetitive surge current	I cr. max		300	A	
Tangente delta	tgδ		30	10 ⁻⁴	1 V / 1 kHz
Equivalent Serie Resistance	ESR		< 2.7	mΩ	1 V / 20 kHz
Stray inductance	ESL		≤ 15	nH	
Test voltage between terminals	U T		1'200	VDC	1 min
Estimated operational life (-3%)			> 200'000	h	Un DC / 70°C
Dimension	Symbol			Unit	Conditions
Width	B		75 ± 1	mm	
Height	H		60 ± 1	mm	
Length	L		155 ± 1	mm	
Terminals					
Tinned cooper 6 x			14 x 1.0	mm	
	M1				
	M0				
	Modification	Date	Visa émetteur		

Condensateurs CH 1400 Yverdon-les-Bains
 Kondensatoren Tel.: ++41 24 445 66 88
 Capacitors Fax: ++41 24 445 66 89

Le Janché
Capacitors
A FISCHER & FAUDSCHER COMPANY

HJJ

15.09.2009

faisab5844.XLS