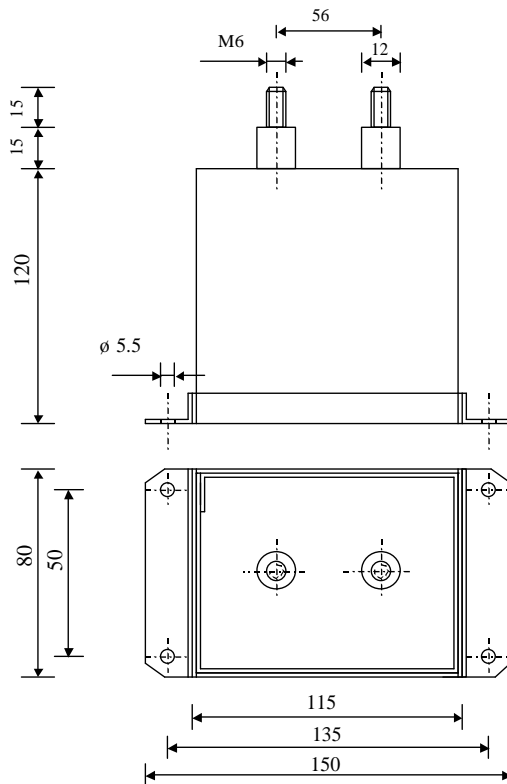


#5726

Filter capacitors

PPM 80-100.0 r K



Dielectric of metallized polypropylene

Threaded outputs

Epoxy resin end sealing

Aluminium case

| Parameter | Symbol | | Value | Unit | Condition |
|----------------------------------|----------------------|------|----------------|--------------------|-------------------------------------|
| Capacitance | C | | 100 | μF | 1 V / 1 kHz |
| Tolerance | | | ± 10 | % | |
| Rated voltage | $U_n \text{ DC}$ | | 800 | VDC | |
| Rated voltage | $U_n \text{ AC}$ | | 300 | V_{eff} | 50 - 300 Hz |
| RMS Current | I_{eff} | | 3C | A_{eff} | 10 kHz |
| slope of voltage variation | $du/dt \text{ max.}$ | | 20 | V/ μsec | max. repetitive |
| Repetitive surge current | $I \text{ cr. max}$ | | 2000 | A | |
| Tangent delta | $\text{tg}\delta$ | | 28 | 10^{-4} | 1 V / 1 kHz |
| Equivalent serie resistance | ESR | | ≤ 5 | $\text{m}\Omega$ | 10 kHz |
| Stray inductance | ESL | | ≤ 70 | nH | |
| Insulation resistance | $R_i \times C$ | | $> 20'000$ | s | 500 VDC - 1 min |
| Test voltage between terminals | $U \text{ T1}$ | | 2400 | VDC | 10 s |
| Test voltage terminals to case | $U \text{ T2}$ | | 3000 | VAC | 1 min |
| Operating temp. | | | - 25 / + 70 °C | | |
| Estimated operational life (-3%) | | | 100'000 | h | $U_n \text{ DC} - 70^\circ\text{C}$ |
| Dimension | Symbol | | | Unit | Conditions |
| Width | B | | 80 | mm | |
| Length | L | | 115 | mm | |
| Height | H | | 120 | mm | |
| Thread | | | M6 x 15 | mm | |
| Thread spacing | | | 56 | mm | |
| | M1 | | | | |
| | M0 | | | | |
| | Modification | Date | Visa émetteur | | |

Condensateurs
Kondensatoren
Capacitors

CH 1400 Yverdon-les-Bains
Tel.: ++41 24 445 66 88
Fax: ++41 24 445 66 89

Le lanché
Capacitors
A FISCHER & TAUSSIG COMPANY

HJJ

09.06.2008

faisab5726.XLS