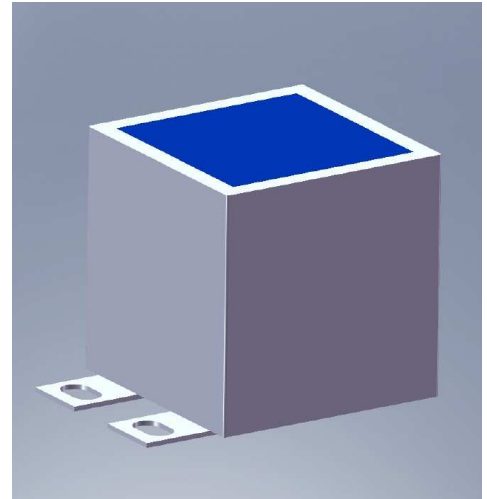
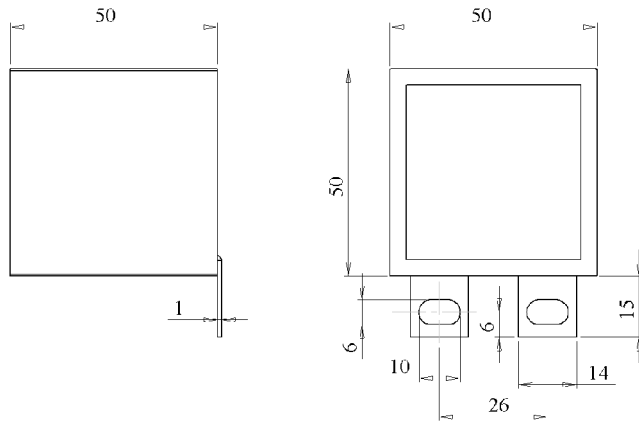


#5900

METALLIZED POLYPROPYLENE CAPACITORS

PPM 80-10.0 cs2 K



Dielectric
polypropylene metallized

Plastic case

Polyurethan resin filled

Ambient Temperature [°]	Current I RMS max 50 kHz
25	34 A
50	26 A
85	12 A

Parameter	Symbol	Value	Unit	Condition
Capacitance	C	10	μF	1 V / 1 kHz
Tolerance		± 10	%	
Rated voltage	Un DC	800	VDC	
slope of voltage variation	du/dt max.	80	V/ μsec	
Repetitive surge current	I cr. max	800	A	
Tangente delta	tg δ	< 6	10^{-4}	1 V / 1 kHz
Equivalent Serie Resistance	ESR	< 4.1	m Ω	1 V / 50 kHz
Stray inductance	ESL	≤ 25	nH	
Test voltage between terminals	U T	1'200	VDC	1 min
Life Test		2'000	h	Un DC / 85°C
Operating temperature		- 55 / + 105	°C	
Dimension	Symbol	Value	Unit	Conditions
Width	B	50	mm	
Height	H	50	mm	
Length	L	50	mm	
Terminals				
Tinned cooper		14 x 1.0	mm	
	RM	26	mm	
	M1			
	M0			
	Modification	Date	Visa émetteur	

Condensateurs CH 1400 Yverdon-les-Bains
Kondensatoren Tel.: ++41 24 445 66 88
Capacitors Fax: ++41 24 445 66 89

Le lanché
Capacitors
A FISCHER & TAUSSCHER COMPANY

HJJ

10.02.2010

faisab5900.XLS