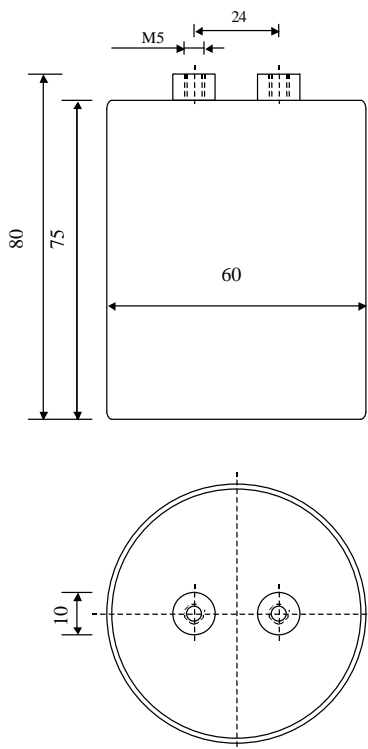


#5867

METALLIZED POLYPROPYLENE CAPACITORS

PPM 75-45.0 c6 K



Dielectric of metallized polypropylene

Threaded outputs

Resin end sealing

Aluminium case

Parameter	Symbol	Value	Unit	Condition
Capacitance	C	45	μF	1 V / 1 kHz
Tolerance		± 10	%	
Rated voltage	Un DC	750	VDC	
Rated voltage	Un AC	150	VAC	50 Hz to 400 Hz
RMS Current / Temp. Amb. max 45°C	I cr. max.	50	Aeff	10 kHz
slope of voltage variation	du/dt max.	25	V/ μsec	max. repetitive
Repetitive surge current	I cr. max	1125	A	
Tangent delta	tg δ	≤ 9	10^{-4}	1 V / 1 kHz
Equivalent serie resistance	ESR	< 2	m Ω	1 V / 10 kHz
Stray inductance	ESL	≤ 80	nH	
Insulation resistance	Ri x C	$\geq 20'000$	s	300 VDC - 1 min
Test voltage between terminals	U T1	1150	VDC	10 s
Test voltage terminals to case	U T2	2500	VAC	50 Hz / 1 min
Climatic category		55/105/56		

Dimension	Symbol	Value	Unit	Conditions
Diameter	D	60	mm	
Height	H	75	mm	
Terminals				
Thread		M5 x 10	mm	
Thread spacing	e	24	mm	
	M1			
	M0			
	Modification	Date	Visa émetteur	

Condensateurs CH 1400 Yverdon-les-Bains
 Kondensatoren Tel.: ++41 24 447 22 82
 Capacitors Fax: ++41 24 447 22 85

Le lancé
Capacitors
A FISCHER & FAUBOIS COMPANY

HJJ

22.10.2009

faisab5867.XLS