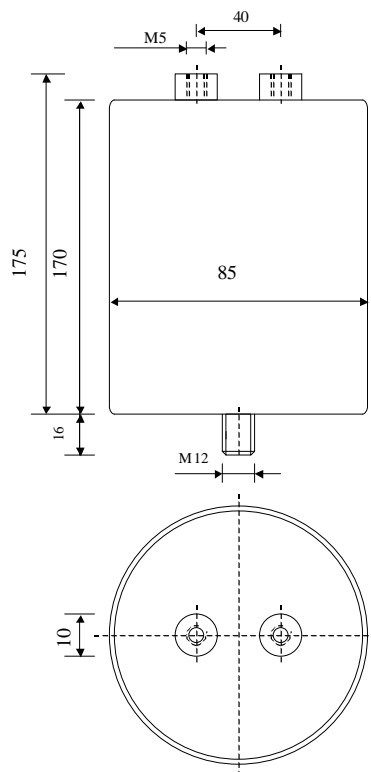


#5742

METALLIZED POLYPROPYLENE CAPACITORS

PPM 70-750.0 cv6 J



Dielectric of metallized polypropylene

Threaded outputs

Resin end sealing

Aluminium case

Parameter	Symbol	Value	Unit	Condition
Capacitance	C	750	$\mu\text{F}$	1 V / 1 kHz
Tolerance		$\pm 5$	%	
Rated voltage	Un DC	700	VAC	
Surge voltage	Us	1000	V cr.	
RMS Current	I <sub>eff max.</sub>	30	A <sub>eff</sub>	
Repetitive surge current	I cr. max	1400	A	
Tangent delta	tg $\delta$	$\leq 27$	$10^{-4}$	1 V / 1 kHz
Equivalent serie resistance	ESR	25°C to 70°C	5	m $\Omega$ 1 V / 10 kHz
Stray inductance	ESL	$\leq 150$	nH	
Insulation resistance	Ri x C	$\geq 30'000$	s	300 VDC - 1 min
Test voltage between terminals	U T1	1200	VDC	10 s
Test voltage terminals to case	U T2	2500	VAC	50 Hz / 1 min
Climatic category		27/70/56		
Estimated operational life (-5 %)		> 160'000	h	Un AC

Dimension	Symbol	Value	Unit	Conditions
Diameter	D	85	mm	
Height	H	170	mm	
Terminals				
Thread		M5 x 10	mm	
Thread spacing	e	40	mm	
Fixing stud		M12 x 16	mm	
Mass approx.	m	1	kg	

M1			
M0			
Modification	Date	Visa émetteur	

Condensateurs CH 1400 Yverdon-les-Bains  
 Kondensatoren Tel.: ++41 24 447 22 82  
 Capacitors Fax: ++41 24 447 22 85

**Le lanché**  
**Capacitors**  
A FISCHER & FAUSCHÉ COMPANY

HJJ

17.07.2008

faisab5742.XLS