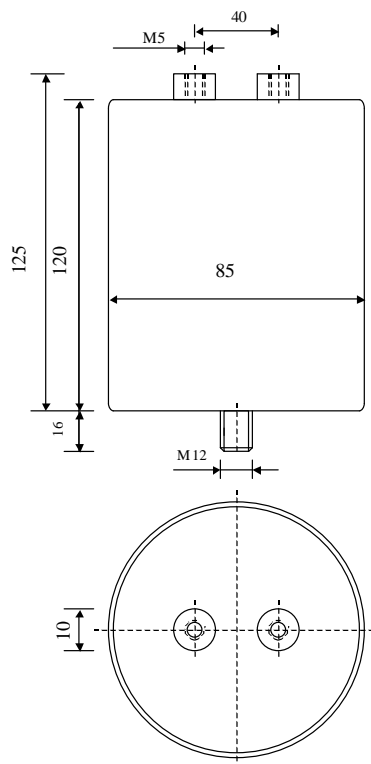


#5761

METALLIZED POLYPROPYLENE CAPACITORS

PPM 70-530.0 cv6 K



Preliminary  
data Sheet

Dielectric of metallized  
polypropylene

Threaded outputs

Resin end sealing

Aluminium case

Parameter	Symbol	Value	Unit	Condition
Capacitance	C	530	$\mu\text{F}$	1 V / 1 kHz
Tolerance		$\pm 10$	%	
Rated voltage	Un DC	700	VDC	
Surge voltage	Us	970	V cr.	
RMS Current	I <sub>eff max.</sub>		A <sub>eff</sub>	
Repetitive surge current	I cr. max		A	
Tangent delta	tg $\delta$	$\leq$	$10^{-4}$	1 V / 1 kHz
Equivalent serie resistance	ESR	25°C to 70°C	m $\Omega$	1 V / 10 kHz
Stray inductance	ESL	$\leq 120$	nH	
Insulation resistance	Ri x C	$\geq 30'000$	s	300 VDC - 1 min
Test voltage between terminals	U T1		VDC	10 s
Test voltage terminals to case	U T2	2800	VAC	50 Hz / 1 min
Climatic category		27/70/56		
Estimated operational life (-5 %)			h	
Dimension	Symbol		Unit	Conditions
Diameter	D	85	mm	
Height	H	120	mm	
Terminals				
Thread		M5 x 10	mm	
Thread spacing	e	40	mm	
Fixing stud		M12 x 16	mm	
Mass approx.	m		kg	
	M1			
	M0			
	Modification	Date	Visa émetteur	

Condensateurs CH 1400 Yverdon-les-Bains  
Kondensatoren Tel.: ++41 24 447 22 82  
Capacitors Fax: ++41 24 447 22 85

**Le Janché**  
Capacitors  
A FISCHER & PAUSCHER COMPANY

HJJ

17.11.2008

faisab5761.XLS