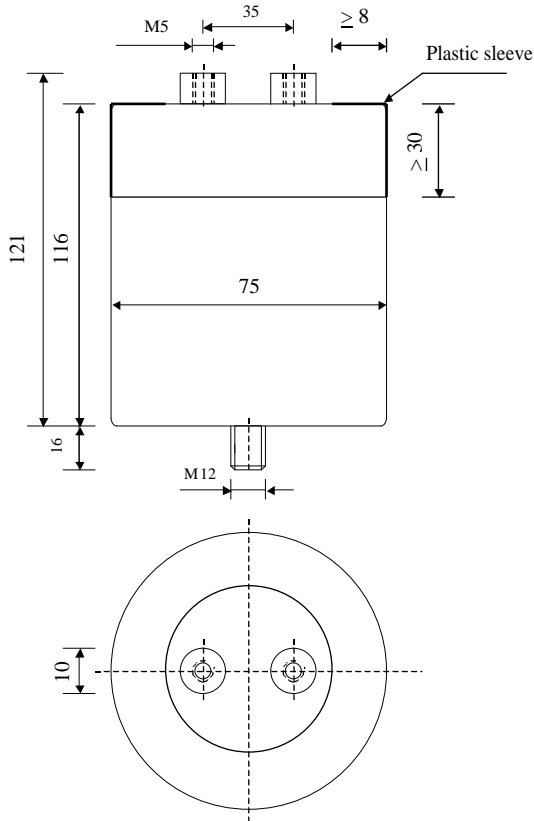


#5762

METALLIZED POLYPROPYLENE CAPACITORS

PPM 70-200.0 cv6 K



Dielectric of metallized polypropylene

Threaded outputs

Resin end sealing

Aluminium case

Parameter	Symbol	Value	Unit	Condition
Capacitance	C	200	$\mu\text{F}$	1 V / 1 kHz
Tolerance		$\pm 10$	%	
Rated voltage	Un DC	700	VDC	
Surge voltage	Us	1340	V cr.	
RMS Current	I <sub>eff</sub> max.	20	A <sub>eff</sub>	2 kHz to 10 kHz
Impulse current	I <sub>t</sub>	200	A <sup>2</sup> s	max
Tangent delta	tg $\delta$	$\leq 70$	10 <sup>-4</sup>	1 V / 1 kHz
Equivalent serie resistance	ESR	5.3	m $\Omega$	25°C to 70°C 1 V / 10 kHz
Stray inductance	ESL	$\leq 50$	nH	
Insulation resistance	Ri x C	$\geq 30'000$	s	300 VDC - 1 min
Test voltage between terminals	U T1	1700	VDC	10 s
Test voltage terminals to case	U T2	2800	VAC	50 Hz / 1 min
Climatic category		27/70/56		
Estimated operational life (-5 %)		100'000	h	UnDC / 70 °C

Dimension	Symbol	Value	Unit	Conditions
Diameter	D	75	mm	
Height	H	116	mm	
Terminals				
Thread		M5 x 10	mm	
Thread spacing	e	35	mm	
Fixing stud		M12 x 16	mm	
Mass approx.	m	700	kg	

	M1			
	M0	30.05.2011	HJJ	
	Modification	Date	Visa émetteur	

Condensateurs CH 1400 Yverdon, Switzerland  
 Kondensatoren Tel.: ++41 24 447 22 82  
 Capacitors Fax: ++41 24 447 22 85

**Leclanché**  
**Capacitors**  
A FISCHER & TAUSSIG COMPANY

HJJ

www.Lcap.ch  
 20.11.2008

capinfo@Lcap.ch  
 faisab5762.XLS