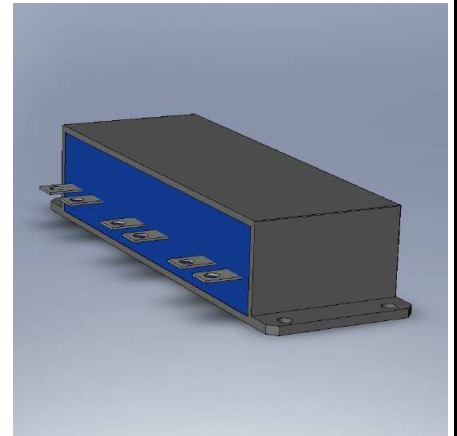
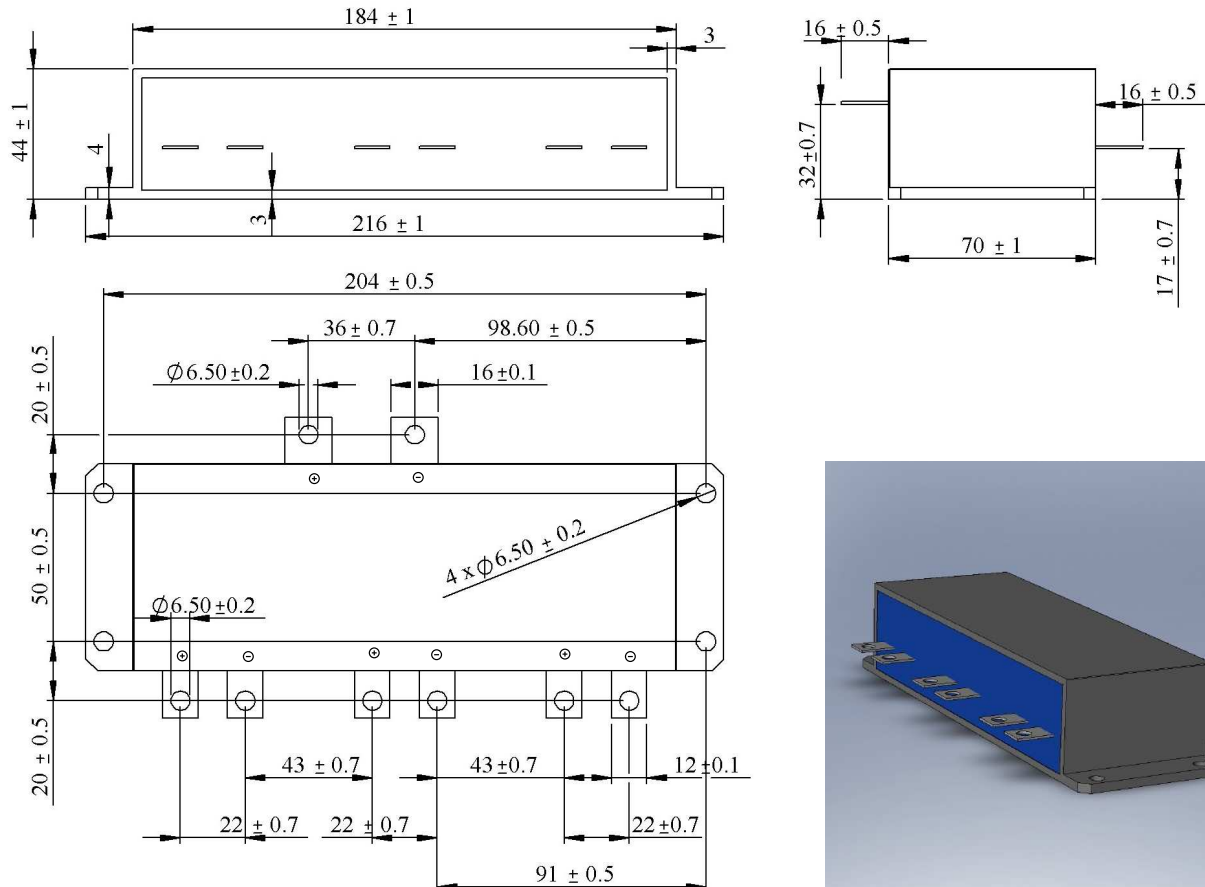


#6154a

METALLIZED POLYPROPYLENE CAPACITORS

PPM 54-120.0 ru1 J



Dielectric polypropylene metallized

Plastic case

polyurethan resin filled

Parameter	Symbol	Value	Unit	Condition
Capacitance	C	120	μF	1 V / 1 kHz
Tolerance		± 5	%	
Rated voltage	Un DC	540	VDC	
Maximum voltage	U max	740	V	
Nominal current	I RMS	85	A	20 kHz
maximum current	I RMS max.	100	A	60 s.
slope of voltage variation	du/dt max.	15	V/ μsec	
Repetitive surge current	I cr. max	1800	A	
Equivalent Serie Resistance	ESR	< 0.8	m Ω	1 V / 10 kHz
Stray inductance	ESL	≤ 22	nH	
Insulation resistance	Ri x C	$> 10'000$	s	500 VDC - 1 min
Test voltage between terminals	U t1	1'000	VDC	1 min
Test voltage terminals to case	Ut2	2'500	VAC	50 Hz - 1 min
Operating temperature		- 50 / + 100	$^{\circ}\text{C}$	
Maximum hot-spot temperature		105	$^{\circ}\text{C}$	
Estimated operational life 85 A RMS / 20 kHz		$> 100'000$	h	540 V / 55 $^{\circ}\text{C}$
Dimension	Symbol	Value	Unit	Conditions
Width	B	70	mm	
Height	H	44	mm	
Length	L	184	mm	
	M1	24.04.2013	HJJ	
	M0	07.03.2013	HJJ	
	Modification	Date	Visa émetteur	

Condensateurs CH 1400 Yverdon, Switzerland
 Kondensatoren Tel.: ++41 24 445 66 88
 Capacitors Fax: ++41 24 445 66 89

Lecranché
Capacitors
A FISCHER & TAUSSCHKE COMPANY

HJJ

www.Lcap.ch
 31.01.2013

capinfo@Lcap.ch
 faisab154a.XLS