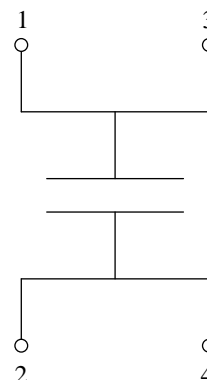
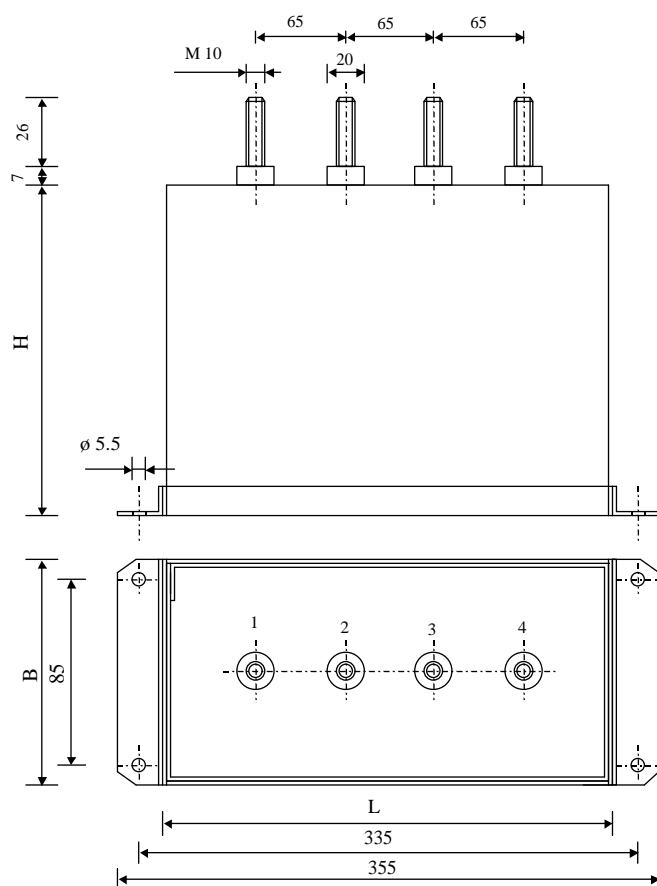


#6167

Metallized polypropylene capacitors

PPM 46-5500.0 r K



Dielectric of metallized polypropylene

Threaded outputs

Resin end sealing

Aluminium case
thick 1.2 mm

| Parameter | Symbol | | Value | Unit | Condition |
|--|---------------------|------|--------------------------------------|------------------|-------------------------------------|
| Capacitance | C | | 5500 | μF | 1 V / 100 Hz |
| Tolerance | | | ± 10 | % | |
| Rated voltage | $U_n \text{ DC}$ | | 460 | VDC | |
| Surge voltage | U_s | | 650 | VDC | 10 ms / 20 x / Day |
| current | $I \text{ cr. max}$ | | 10'000 | A | |
| current | $I \text{ RMS}$ | | 240 | A | 1 kHz |
| Equivalent serie resistance | ESR | | ≤ 0.72 | $\text{m}\Omega$ | 1 kHz |
| Stray inductance | ESL | | ≤ 40 | nH | |
| Insulation resistance | $R_i \times C$ | | $> 30'000$ | s | 300 VDC - 1 min |
| Test voltage between terminals | $U \text{ T1}$ | | 736 | VDC | 10 s |
| Test voltage between terminals to case | $U \text{ T2}$ | | 2'500 | VAC | 50 Hz - 1 min |
| Operating temp. | | | $- 40 / + 70 \text{ }^\circ\text{C}$ | | |
| Estimated operational life (-5 %) | | | 300'000 | h | $U_n \text{ DC} / 80^\circ\text{C}$ |
| Dimension | Symbol | | | Unit | Conditions |
| Width | | | 113 | mm | |
| Length | | | 315 | mm | |
| Height | | | 225 | mm | |
| Thread (4 x) | | | M10 x 26 | mm | |
| | M1 | | | | |
| | M0 | | | | |
| | Modification | Date | Visa émetteur | | |

Condensateurs CH 1400 Yverdon, Switzerland
 Kondensatoren Tel.: ++41 24 445 66 88
 Capacitors Fax: ++41 24 445 66 89

Leclanché
Capacitors
A FISCHER & TAUSSCHIG COMPANY

HJJ

www.Lcap.ch
 12.03.2013

capinfo@Lcap.ch
 faisab6167.XLS