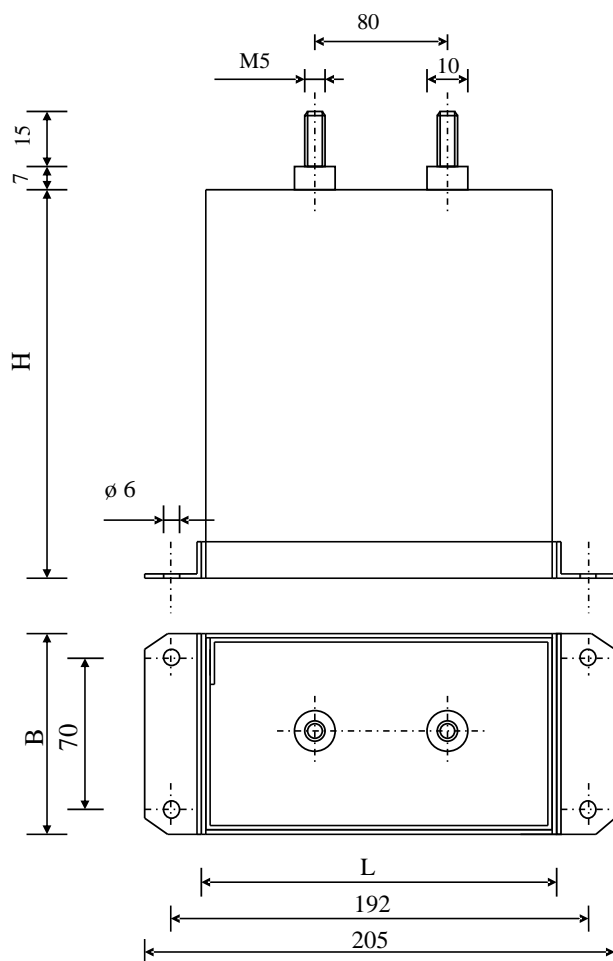


#6262

Metallized polypropylene capacitors

PPM 400-40.0 r K



Dielectric of metallized polypropylene

Threaded outputs

Resin end sealing

Aluminium case thick 1.2 mm

Parameter	Symbol	Value	Unit	Condition
Capacitance	C	40	μF	1 V / 100 Hz
Tolerance		± 10	%	
Rated voltage	Un DC	4'000	VDC	
Surge voltage	Us	5'000	VDC	
current	I cr. max	3'400	A	
current	I RMS	40	A	600 Hz / 50°C
Equivalent serie resistance	ESR	≤ 6.0	$\text{m}\Omega$	1 kHz
Stray inductance	ESL	≤ 70	nH	
Insulation resistance	Ri x C	$> 30'000$	s	500 VDC - 1 min
Test voltage between terminals	U T1	6'000	VDC	10 s
Test voltage between terminals to case	U T2	3'500	VAC	50 Hz - 1 min
Operating temp.		- 40 / + 70 °C		
Estimated operational life (-3 %)		100'000	h	4000 VDC / 70°C

Dimension	Symbol	Value	Unit	Conditions
Width	B	105	mm	
Length	L	175	mm	
Height	H	180	mm	
Thread		M 5 x 15	mm	

M1			
M0			
Modification	Date	Visa émetteur	

Condensateurs CH 1400 Yverdon, Switzerland
 Kondensatoren Tel.: ++41 24 445 66 88
 Capacitors Fax: ++41 24 445 66 89

Lecaniché
Capacitors
A FISCHER & TALEUECH COMPANY

HJJ

www.Lcap.ch
 21.02.2014

capinfo@Lcap.ch
 faisab6262.XLS