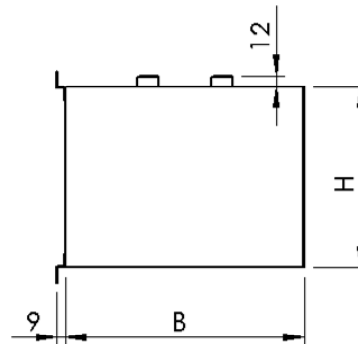
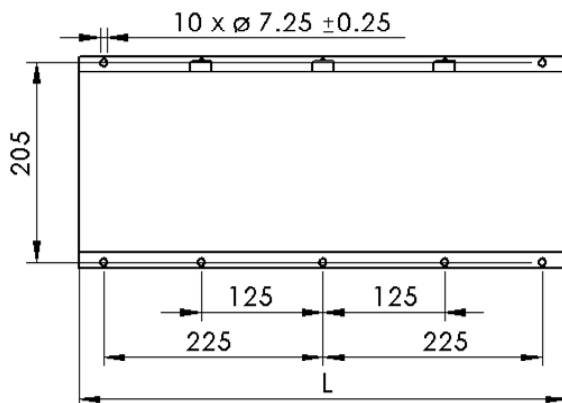


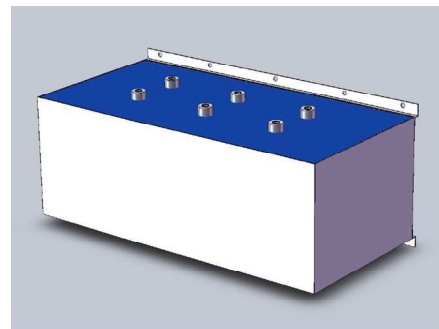
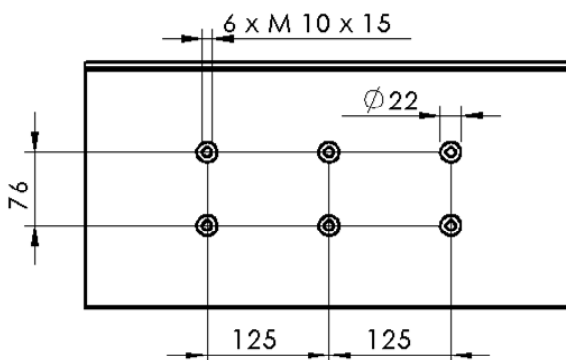
#6231

Metallized polypropylene capacitors

PPM 360-500.0 r J



Resin end sealing
Inox case
thick 1.5 mm



Parameter	Symbol	Value	Unit	Condition
Capacitance	C	500	µF	1 V / 100 Hz
Tolerance		± 5	%	
Rated voltage	Un DC	3'600	VDC	
Maximum voltage	U DC max.	4'050	VDC	
Surge voltage	Us	5'250	V	
Maximum current	I RMS max.	100	A	600 Hz
Surge current non rep.	Is	50'000	A	
Equivalent serie resistance	ESR	≤ 2.2	mΩ	1 kHz
Stray inductance	ESL	≤ 70	nH	
Insulation resistance	Ri x C	> 20'000	s	500 VDC - 1 min
Test voltage between terminals	U T1	5'500	VDC	10 s
Test voltage between terminals to case	U T2	7'400	VAC	50 Hz - 1 min
Partial discharge between terminals to case		< 10	pC	2500 VAC / 50 Hz
Operating temp.		- 25 / + 70 °C		
Storage temp.		- 40 / + 80 °C		
Estimated operational life (-5 %)		100'000	h	3600 VDC / 70°C

Dimension	Symbol	Value	Unit	Conditions
Width	B	245	mm	
Length	L	500	mm	
Height	H	185	mm	
Thread (6 x)		M10 x 15	mm	

	M1			
	M0			
	Modification	Date	Visa émetteur	

Condensateurs CH 1400 Yverdon, Switzerland
Kondensatoren Tel.: ++41 24 445 66 88
Capacitors Fax: ++41 24 445 66 89

Lecaniché
Capacitors
A FISCHER & TAUSSCH COMPANY

HJJ

www.Lcap.ch
11.12.2013

capinfo@Lcap.ch
faisab6231.XLS