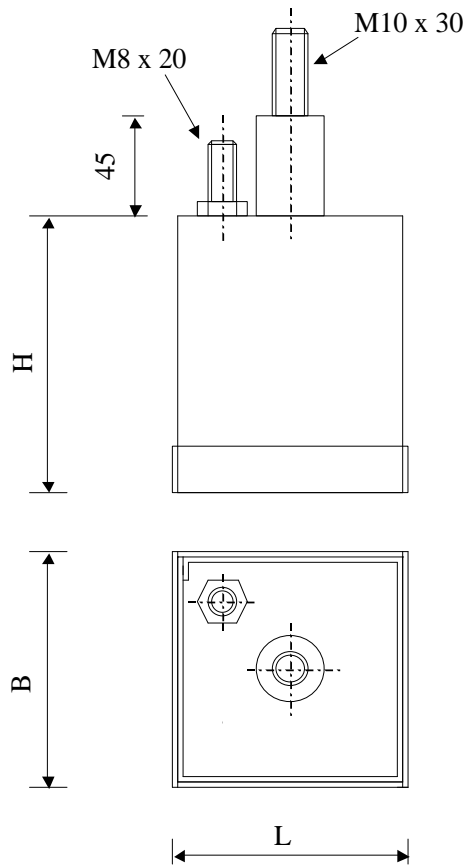


#6149

Metallized polypropylene capacitors

PPM 350-1.0 r K



Dielectric of metallized polypropylene

Threaded outputs

Resin end sealing

Aluminium case
thick 1.2 mm

Parameter	Symbol		Value	Unit	Condition
Capacitance	C		1	μF	1 V / 1 kHz
Tolerance			± 10	%	
Rated voltage	$U_n \text{ DC}$		3'500	VDC	
Rated voltage	$U_n \text{ AC}$		1500	V_{eff}	50 to 300 Hz
slope of voltage vari:	$du/dt \text{ max.}$		1500	V/ μsec	max. repetitive
Repetitive surge current	$I \text{ cr. max}$		1500	A	
Tangent delta	$\text{tg}\delta$		≤ 4	10^{-4}	1 V / 1 kHz
Tangent delta	$\text{tg}\delta$		≤ 8	10^{-4}	1 V / 10 kHz
Stray inductance	ESL		≤ 200	nH	
Insulation resistance	R_i		$> 20'000$	$\text{M}\Omega$	500 VDC - 1 min
Test voltage between terminals	$U \text{ T1}$		5'250	VDC	60 s.
Operating temp.			- 30 / + 70 °C		
Estimated operational life (-3%)			100'000	h	$U_n \text{ DC} / 70^\circ\text{C}$
Dimension	Symbol			Unit	Conditions
Width	B		90	mm	
Length	L		90	mm	
Height	H		148	mm	
Terminals			M 10 x 30 mm	mm	
			M8 x 20 mm	mm	
	M1				
	M0				
	Modification	Date	Visa émetteur		

Condensateurs CH 1400 Yverdon, Switzerland
 Kondensatoren Tel.: ++41 24 445 66 88
 Capacitors Fax: ++41 24 445 66 89

Lecaniché
Capacitors
A FISCHER & TZURICHE COMPANY

HJJ

www.Lcap.ch
 24.01.2013

capinfo@Lcap.ch
 faisab6149.XLS