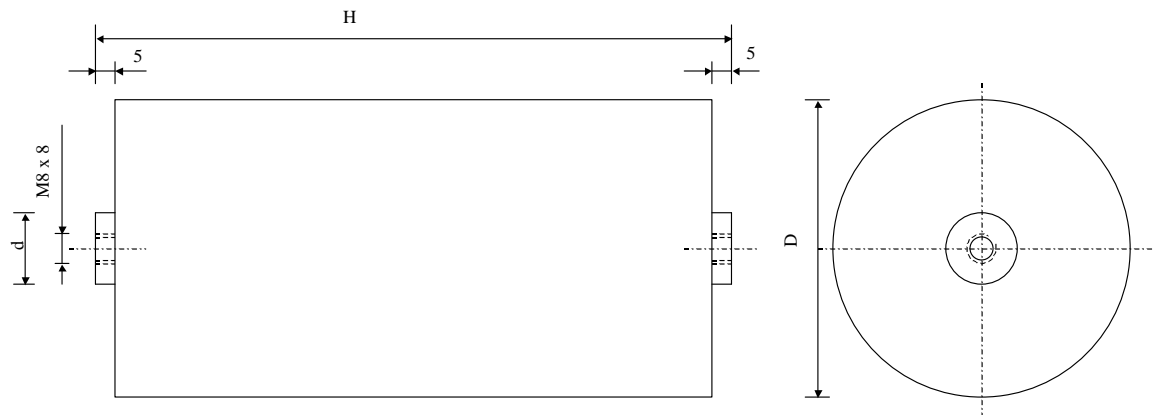


#6005

High Voltage Capacitors

PPM 3400-112 uv K

PRELIMINARY



Dielectric of metallized polypropylene - Plastic tube

Polyurethane resin end sealing - Threaded outputs

Parameter	Symbol		Value	Unit	Condition
Capacitance	C		0.012	μF	1 V / 1 kHz
Tolerance			± 10	%	
Rated voltage (positive and negative)	Un DC	\pm	34'000	VDC	
Rated voltage	Un AC		3500	VRMS	50 Hz to 5 kHz
Maximum Voltage	U max		$\pm 38'000$	VDC	
Impulse current	I^2t		< 2.0	A^2s	
Tangent delta	$\text{tg}\delta$		10	10-4	1 V / 1 kHz
Equivalent serie resistance	ESR		≤ 300	$\text{m}\Omega$	1 MHz
Stray inductance	ESL		≤ 300	nH	
Insulation resistance	Ri		> 100'000	$\text{M}\Omega$	500 VDC - 1 min
Test voltage between terminals	UT1		+ 52'000	VDC	1 h.
Test voltage between terminals	UT1		- 52'000	VDC	1 h.
Lightning Impulse (1.2 / 50 μs)	V cr.		+ 94	kV	10 x
Lightning Impulse (1.2 / 50 μs)	V cr.		- 94	kV	10 x
Operating Temperature			-40 / + 70	$^{\circ}\text{C}$	

Dimension	Symbol			Unit	Conditions
Diameter	$\varnothing D$		110	mm	
Height	H		340	mm	
Terminals					
Thread			M8 x 8	mm	
	$\varnothing d$		22		
	M1				
	M0	19.04.2011	HJJ		
	Modification	Date	Visa émetteur		

Condensateurs CH 1400 Yverdon, Switzerland
 Kondensatoren Tel.: ++41 24 445 66 88
 Capacitors Fax: ++41 24 445 66 89

Lectranché
Capacitors
A FISCHER & TAUSSCHÉ COMPANY

HJJ

www.Lcap.ch
 17.02.2011

capinfo@Lcap.ch
 faisab6005.XLS