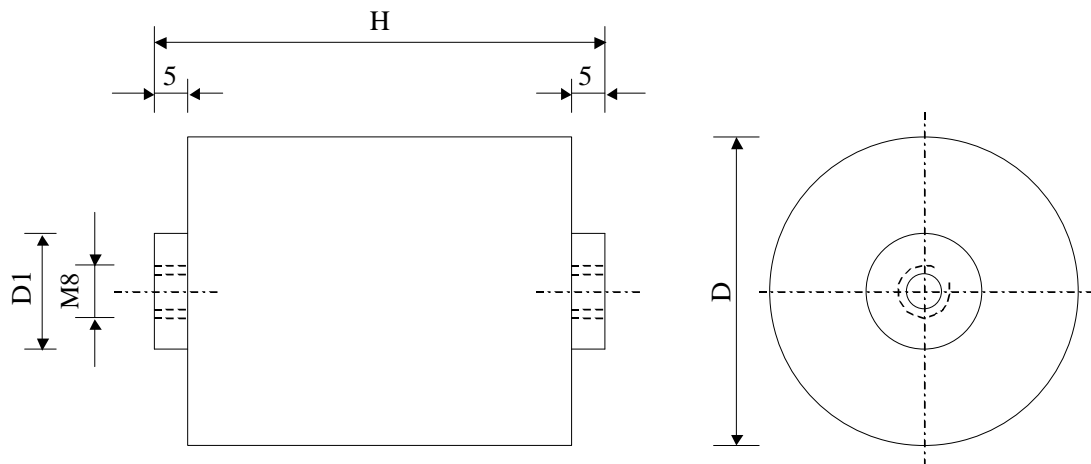


#5579

Protection capacitors

PPM 300-6.0 uv J



Dielectric of metallized polypropylene - Plastic tube

Polyurethane resin end sealing - Threaded outputs

Parameter	Symbol		Value	Unit	Condition
Capacitance	C		6	$\mu\text{F}$	1 V / 1 kHz
Tolerance			$\pm 5$	%	
Rated voltage	$U_n \text{ DC}$		3000	VDC	
Peak voltage	$U_{\text{peak}}$		4000	V	
Surge voltage	$U_s$		4600	V	
Rated voltage	$U_n \text{ RMS}$		1400	$V_{\text{eff}}$	
RMS Current max	$I_{\text{eff}}$		75	A	
Impulse current	$I_{\text{t}}$		250	$\text{A}^2\text{s}$	non. repetitive
Tangente delta dielectric	$\text{tg}\delta_o$		2	$10^{-4}$	1 to 100 kHz
Series resistance	RS		$\leq 2.1$	$\text{m}\Omega$	
Stray inductance	ESL		20	nH	
Thermal resistance	$R_{\text{th}}$		1.7	$^{\circ}\text{C}/\text{W}$	Hot spot - terminals
Insulation resistance	$R_i \times C$		$> 30'000$	s	500 VDC - 1 min
Test voltage between terminals	$U_{T1}$		4600	VDC	10 s
Test voltage terminals to case	$U_{T2}$		4000	VAC	50 Hz / 1 min
Climatic category (IEC68)			40/85/56		
Estimated operational life (-3%)			200'000	h	$U_n \text{ DC} - 70^{\circ}\text{C}$

Dimension	Symbol		Unit	Conditions
Diameter	$\varnothing D$		mm	
Height	H		mm	
Terminals				
Thread				
	D1		mm	
	M1			
	M0			
	Modification	Date	Visa émetteur	

Condensateurs CH 1401 Yverdon-les-Bains  
 Kondensatoren Tel.: ++41 24 445 66 88  
 Capacitors Fax: ++41 24 445 66 89

**Le Janché**  
**Capacitors**  
A FISCHER & TAUSSCH COMPANY

HJJ

27.06.2006

faisab5579.XLS