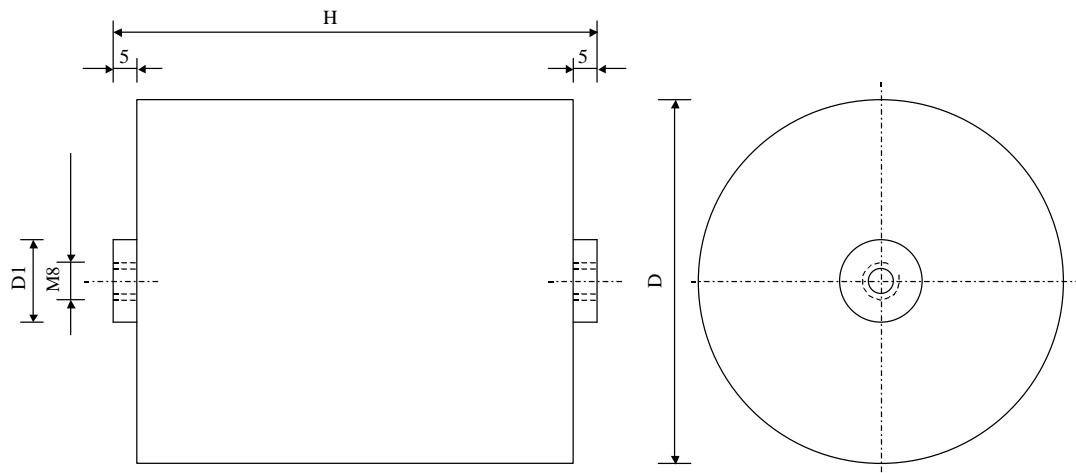


#6075

Power capacitors

PPM 300-33.0 uv K



Dielectric of metallized polypropylene - Plastic tube

Polyurethane resin end sealing - Threaded outputs

Parameter	Symbol	Value	Unit	Condition
Capacitance	C	33	$\mu\text{F}$	1 V / 1 kHz
Tolerance		$\pm 10$	%	
Rated voltage	Un DC	3000	VDC	
Maximum voltage	Um	8'000	VDC	1 s. / 50 x / week
Surge Voltage	Us	14	kVDC	1 s. / 5 x / week
Rated voltage	Un RMS	900	Veff	
RMS Current max	Ieff	7C	A	6 kHz
Impulse current	I cr.	5000	A	max.
Tangent delta	tg $\delta$	$\leq 10$	$10^{-4}$	1 V / 1 kHz
Equivalent serie resistance	ESR	$\leq 4$	m $\Omega$	10 kHz
Stray inductance	ESL	$\leq 140$	nH	
Insulation resistance	Ri x C	$> 50'000$	s	500 VDC - 1 min
Test voltage between terminals	U T1	15	kVDC	1 min
Estimated operational life (-3%)		100'000	h	7 kVDC / 40 °C 50 A RMS / 6 kHz
Dimension	Symbol	Value	Unit	Conditions
Diameter	$\varnothing D$	140	mm	
Height	H	$295 \pm 1.0$	mm	
Terminals				
Thread		M8 x 8	mm	
	D1	22	mm	
	M1			
	M0	19.01.2012	HJJ	
	Modification	Date	Visa émetteur	

Condensateurs CH 1400 Yverdon, Switzerland  
 Kondensatoren Tel.: ++41 24 445 66 88  
 Capacitors Fax: ++41 24 445 66 89

**Lecan**  
**Capacitors**  
A FISCHER & TAUSSCH COMPANY

HJJ

www.Lcap.ch  
 13.01.2012

capinfo@Lcap.ch  
 faisab6075.XLS