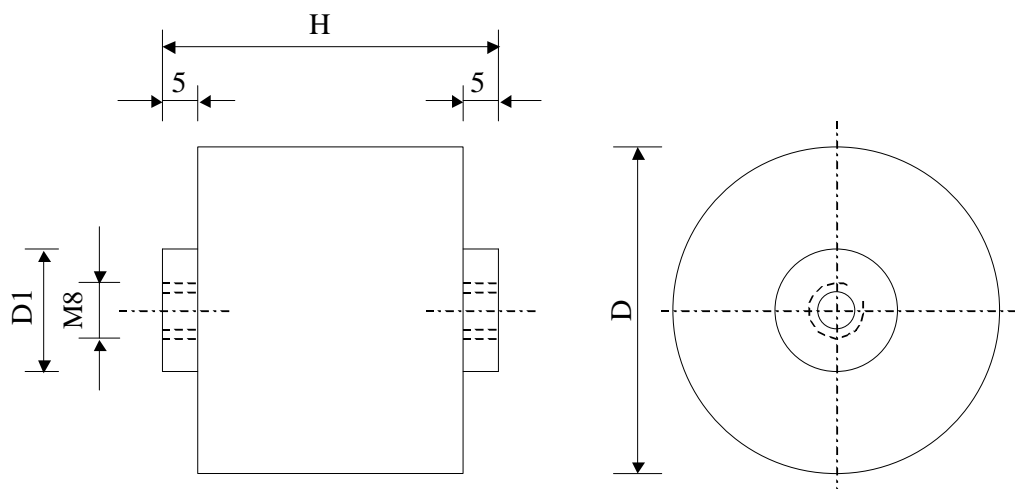


#5577

Protection capacitors

PPM 300-025 uv J



Dielectric of metallized polypropylene - Plastic tube

Polyurethane resin end sealing - Threaded outputs

Parameter	Symbol	Value	Unit	Condition
Capacitance	C	0.25	μF	1 V / 1 kHz
Tolerance		± 5	%	
Rated voltage	$U_n \text{ DC}$	3000	VDC	
Peak voltage	U_{peak}	4000	V	
Surge voltage	U_s	4600	V	
Rated voltage	$U_n \text{ RMS}$	1400	V_{eff}	
RMS Current max	I_{eff}	45	A	
Impulse current	I_{t}	6.5	A^2s	non. repetitive
Tangente delta dielectric	$\text{tg}\delta_o$	2	10^{-4}	1 to 100 kHz
Series resistance	RS	≤ 1.2	$\text{m}\Omega$	
Stray inductance	ESL	15	nH	
Thermal resistance	R_{th}	3.5	$^{\circ}\text{C}/\text{W}$	Hot spot - terminals
Insulation resistance	$R_i \times C$	$> 30'000$	s	500 VDC - 1 min
Test voltage between terminals	U_{T1}	4600	VDC	10 s
Test voltage terminals to case	U_{T2}	4000	VAC	50 Hz / 1 min
Climatic category (IEC68)		40/85/56		
Estimated operational life (-3%)		200'000	h	$U_n \text{ DC} - 70^{\circ}\text{C}$

Dimension	Symbol	Value	Unit	Conditions
Diameter	$\varnothing D$	92	mm	
Height	H	55 ± 0.5	mm	
Terminals				
Thread		M8 x 8	mm	
	D1	22	mm	
	M1			
	M0			
Modification	Date	Visa émetteur		

Condensateurs CH 1401 Yverdon-les-Bains
 Kondensatoren Tel.: ++41 24 445 66 88
 Capacitors Fax: ++41 24 445 66 89

Le Janché
Capacitors
A FISCHER & TAUSSCH COMPANY

HJJ

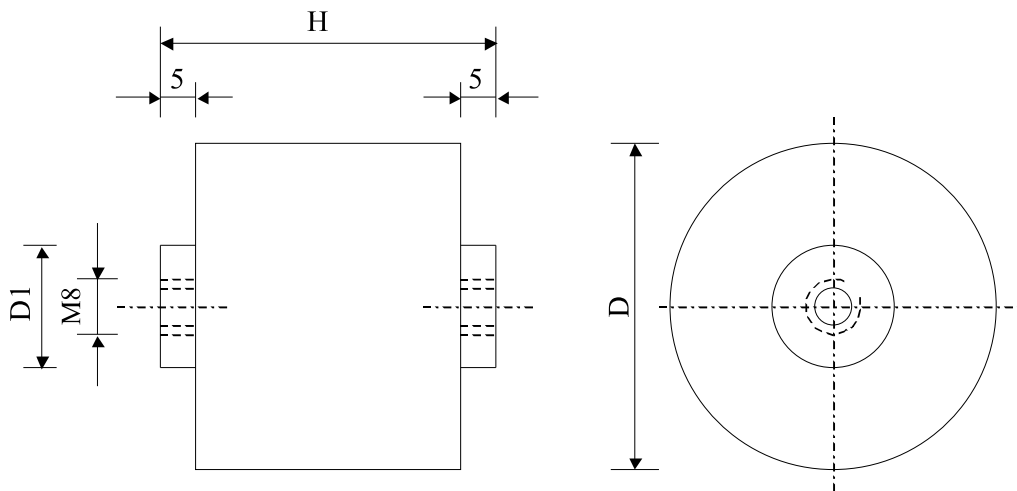
27.06.2006

faisab5577.XLS

#5576

Protection capacitors

PPM 300-1.0 uv J



Dielectric of metallized polypropylene - Plastic tube

Polyurethane resin end sealing - Threaded outputs

Parameter	Symbol	Value	Unit	Condition
Capacitance	C	1	μF	1 V / 1 kHz
Tolerance		± 5	%	
Rated voltage	$U_n \text{ DC}$	3000	VDC	
Peak voltage	U_{peak}	4000	V	
Surge voltage	U_s	4600	V	
Rated voltage	$U_n \text{ RMS}$	1400	V_{eff}	
RMS Current max	I_{eff}	65	A	
Impulse current	I_t	30	A^2s	non. repetitive
Tangente delta dielectric	$\text{tg}\delta_o$	2	10^{-4}	1 to 100 kHz
Serie resistance	RS	≤ 1.1	$\text{m}\Omega$	
Stray inductance	ESL	15	nH	
Thermal resistance	R_{th}	3.3	$^{\circ}\text{C}/\text{W}$	Hot spot - terminals
Insulation resistance	$R_i \times C$	$> 30'000$	s	500 VDC - 1 min
Test voltage between terminals	U_{T1}	4600	VDC	10 s
Test voltage terminals to case	U_{T2}	4000	VAC	50 Hz / 1 min
Climatic category (IEC68)		40/85/56		
Estimated operational life (-3%)		200'000	h	$U_n \text{ DC} - 70^{\circ}\text{C}$
Dimension	Symbol	Value	Unit	Conditions
Diameter	$\varnothing D$	92	mm	
Height	H	62 ± 0.5	mm	
Terminals				
Thread		M8 x 8	mm	
	D1	22	mm	
	M1			
	M0			
	Modification	Date	Visa émetteur	

Condensateurs CH 1401 Yverdon-les-Bains
 Kondensatoren Tel.: ++41 24 445 66 88
 Capacitors Fax: ++41 24 445 66 89

Le lanché
Capacitors
A FISCHER & FAURICH COMPANY

HJJ

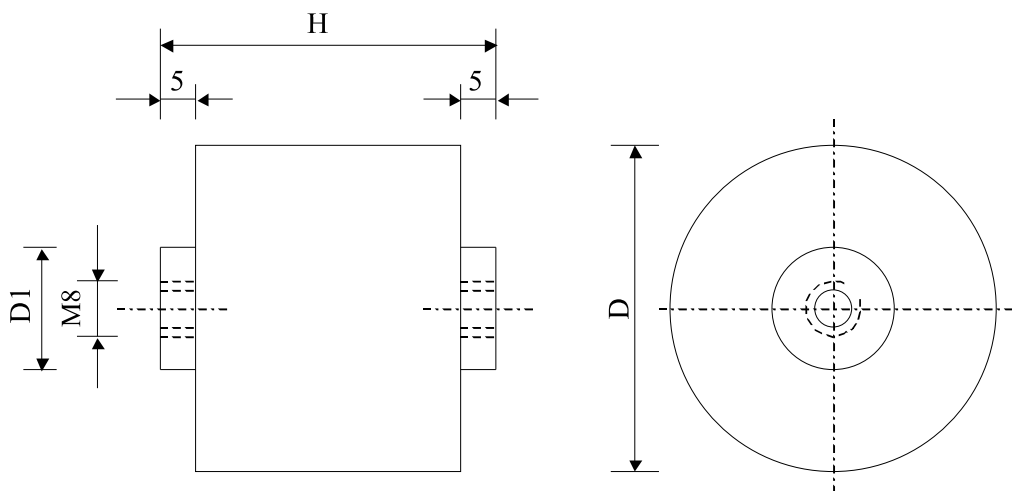
27.06.2006

faisab5576.XLS

#5578

Protection capacitors

PPM 300-2.0 uv J



Dielectric of metallized polypropylene - Plastic tube

Polyurethane resin end sealing - Threaded outputs

Parameter	Symbol	Value	Unit	Condition
Capacitance	C	2	μF	1 V / 1 kHz
Tolerance		± 5	%	
Rated voltage	$U_n \text{ DC}$	3000	VDC	
Peak voltage	U_{peak}	4000	V	
Surge voltage	U_s	4600	V	
Rated voltage	$U_n \text{ RMS}$	1400	V_{eff}	
RMS Current max	I_{eff}	70	A	
Impulse current	I_t	57	A^2s	non. repetitive
Tangente delta dielectric	$\text{tg}\delta_o$	2	10^{-4}	1 to 100 kHz
Serie resistance	RS	≤ 1.3	$\text{m}\Omega$	
Stray inductance	ESL	15	nH	
Thermal resistance	R_{th}	2.8	$^{\circ}\text{C}/\text{W}$	Hot spot - terminals
Insulation resistance	$R_i \times C$	$> 30'000$	s	500 VDC - 1 min
Test voltage between terminals	U_{T1}	4600	VDC	10 s
Test voltage terminals to case	U_{T2}	4000	VAC	50 Hz / 1 min
Climatic category (IEC68)		40/85/56		
Estimated operational life (-3%)		200'000	h	$U_n \text{ DC} - 70^{\circ}\text{C}$
Dimension	Symbol	Value	Unit	Conditions
Diameter	$\varnothing D$	92	mm	
Height	H	80 ± 0.5	mm	
Terminals				
Thread		M8 x 8	mm	
	D1	22	mm	
	M1			
	M0			
	Modification	Date	Visa émetteur	

Condensateurs CH 1401 Yverdon-les-Bains
 Kondensatoren Tel.: ++41 24 445 66 88
 Capacitors Fax: ++41 24 445 66 89

Le Jancché
Capacitors
A FISCHER & TAUSSCHER COMPANY

HJJ

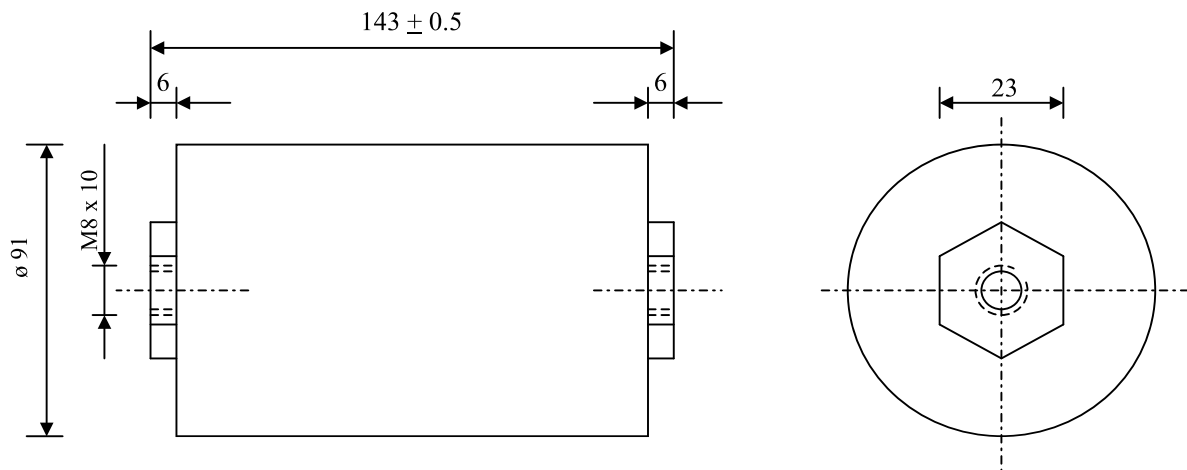
27.06.2006

faisab5578.XLS

#5505

Protection capacitors

PPM 300-4.0 uv K



Dielectric of metallized polypropylene - Plastic tube

Polyurethane resin end sealing - Threaded outputs

Parameter	Symbol	Value	Unit	Condition
Capacitance	C	4	μF	1 V / 1 kHz
Tolerance		± 10	%	
Rated voltage	Un DC	3000	VDC	
Peak voltage	U peak	4000	V	
Surge voltage	U s	4600	V	
Rated voltage	Un RMS	1400	Veff	
RMS Current max	Ieff	90	A	
Impulse current	I _p t	172	A ² s	non. repetitive
Tangente delta dielectric	tgδ _o	2	10 ⁻⁴	1 to 100 kHz
Series resistance	RS	≤ 1.3	mΩ	
Stray inductance	ESL	15	nH	
Thermal resistance	R _{th}	1.7	°C/W	Hot spot - terminals
Insulation resistance	Ri x C	> 30'000	s	500 VDC - 1 min
Test voltage between terminals	U T1	4600	VDC	10 s
Test voltage terminals to case	U T2	4000	VAC	50 Hz / 1 min
Climatic category (IEC68)		40/85/56		
Estimated operational life (-3%)		200'000	h	Un DC - 70°C

Dimension	Symbol	Value	Unit	Conditions
Diameter	ø D	92	mm	
Height	H	143± 0.5	mm	
Terminals				
Thread		M8 x 10	mm	
	s	23	mm	
	M1			
	M0			
	Modification	Date	Visa émetteur	

Condensateurs CH 1401 Yverdon-les-Bains
 Kondensatoren Tel.: ++41 24 445 66 88
 Capacitors Fax: ++41 24 445 66 89

Le lanché
Capacitors
A FISIGNER & TALECCHI COMPANY

HJJ

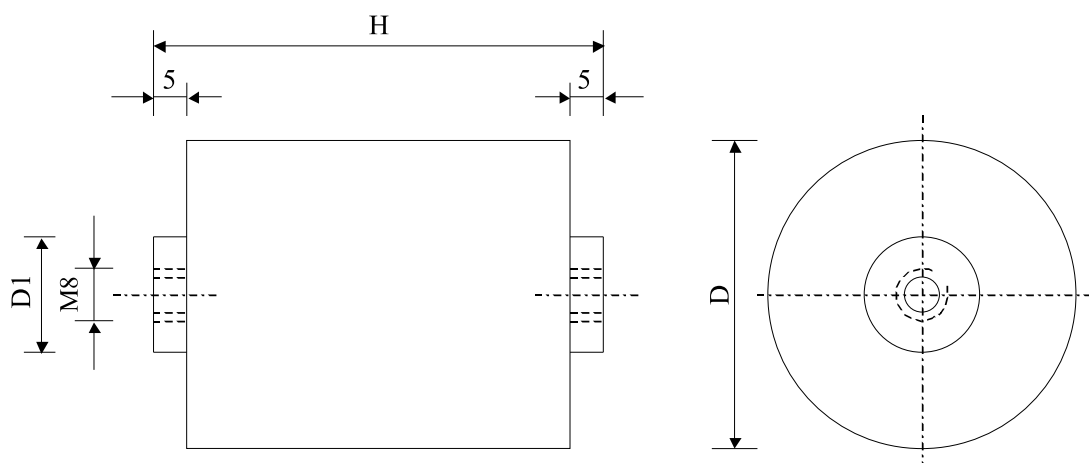
22.08.2005

faisab5505.XLS

#5579

Protection capacitors

PPM 300-6.0 uv J



Dielectric of metallized polypropylene - Plastic tube

Polyurethane resin end sealing - Threaded outputs

Parameter	Symbol	Value	Unit	Condition
Capacitance	C	6	μF	1 V / 1 kHz
Tolerance		± 5	%	
Rated voltage	Un DC	3000	VDC	
Peak voltage	U peak	4000	V	
Surge voltage	U s	4600	V	
Rated voltage	Un RMS	1400	Veff	
RMS Current max	I _{eff}	75	A	
Impulse current	I _t	250	A ² s	non. repetitive
Tangente delta dielectric	tg δ	2	10^{-4}	1 to 100 kHz
Series resistance	RS	≤ 2.1	m Ω	
Stray inductance	ESL	20	nH	
Thermal resistance	R _{th}	1.7	$^{\circ}\text{C}/\text{W}$	Hot spot - terminals
Insulation resistance	R _i x C	$> 30'000$	s	500 VDC - 1 min
Test voltage between terminals	U T1	4600	VDC	10 s
Test voltage terminals to case	U T2	4000	VAC	50 Hz / 1 min
Climatic category (IEC68)		40/85/56		
Estimated operational life (-3%)		200'000	h	Un DC - 70 $^{\circ}\text{C}$
Dimension	Symbol	Value	Unit	Conditions
Diameter	$\varnothing D$	92	mm	
Height	H	162 ± 1	mm	
Terminals				
Thread		M8 x 8	mm	
	D1	22	mm	
	M1			
	M0			
	Modification	Date	Visa émetteur	

Condensateurs CH 1401 Yverdon-les-Bains
 Kondensatoren Tel.: ++41 24 445 66 88
 Capacitors Fax: ++41 24 445 66 89

Le Janché
Capacitors
A FISCHER & TAUSSCHÉ COMPANY

HJJ

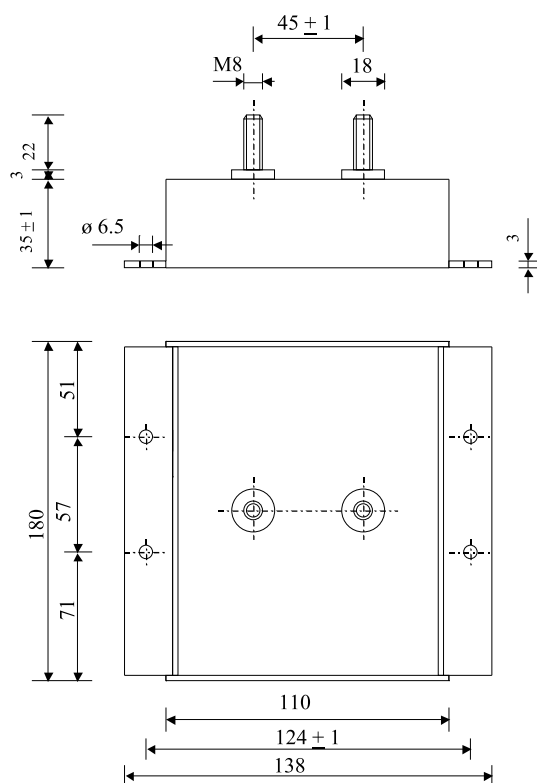
27.06.2006

faisab5579.XLS

#5595

Filtering Capacitors

PPM 300-10.0 ru K



Dielectric of metallized polypropylene

Threaded outputs

Resin end sealing

Plastic case
thick 3.0 mm

Parameter	Symbol	Value	Unit	Condition
Capacitance	C	10	μF	1 V / 1 kHz
Tolerance		± 10	%	
Rated voltage	Un DC	3'000	VDC	
RMS Current 10 kHz to 100 kHz	I _{eff} max	70	A _{eff}	Temp.amb. 25°C
RMS Current 10 kHz to 100 kHz	I _{eff} max	57	A _{eff}	Temp.amb. 45°C
RMS Current 10 kHz to 100 kHz	I _{eff} max	41	A _{eff}	Temp.amb. 65°C
RMS Current 10 kHz to 100 kHz	I _{eff} max	30	A _{eff}	Temp.amb. 75°C
Repetitive surge current	I cr. max	2800	A	
Tangente delta	tg δ	< 20	10 ⁻⁴	1 V / 10 kHz
Equivalent serie resistance	ESR	≤ 3.5	mΩ	100 kHz
Stray inductance	ESL	≤ 25	nH	
Insulation resistance	Ri x C	> 20'000	s	500 VDC - 1 min
Test voltage between terminals	U T1	4'500	VDC	10 s
Test voltage between terminals to case	U T2	4'000	VAC	10 s
Climatic category (IEC 60068)		40/85/56		
Estimated operational life (-3%)		100'000	h	Un DC / 70°C

Dimension	Symbol	Value	Unit	Condition
Width	B	110	mm	
Length	L	180	mm	
Height	H	35	mm	
Thread		M 8 x 22	mm	
Thread spacing		45	mm	

	M1			
	M0			
	Modification	Date	Visa émetteur	

Condensateurs
Kondensatoren
Capacitors

CH 1401 Yverdon-les-Bains
Tel.: ++41 24 445 66 88
Fax: ++41 24 445 66 89

Le lanché
Capacitors
AN FISCHER & TANCHE COMPANY

HJJ

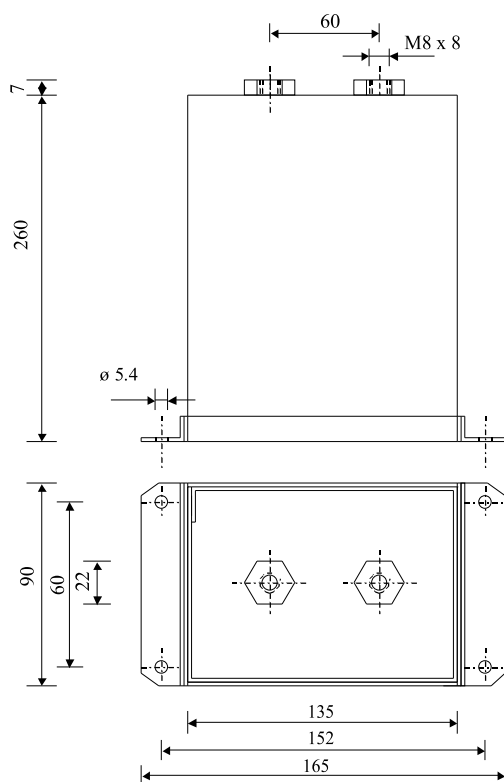
28.09.2006

faisab5595.XLS

#5589

Discharge Capacitors

PPMF 300-66.0 r K



Dielectric of metallized polypropylene

Threaded outputs

Resin end sealing

Aluminium case
thick 1.2 mm

Parameter	Symbol	Value	Unit	Condition
Capacitance	C	66	μF	1 V / 1 kHz
Tolerance		± 10	%	
Rated voltage	Un DC	3'000	VDC	
Maximum voltage	Us max.	4'000	V	non. rep.
Rated voltage	Un AC	630	Veff	50 Hz
RMS Current	Ieff max	80	Aeff	1 kHz ... 100 kHz
slope of voltage variation	du/dt max.	37.9	V/μsec	max. repetitive
Repetitive surge current	I cr. max	2500	A	
Tangente delta	tgδ	9	10 ⁻⁴	1 V / 1 kHz
Equivalent serie resistance	ESR	≤ 2	mΩ	10 kHz
Stray inductance	ESL	≤ 200	nH	
Insulation resistance	Ri x C	> 20'000	s	500 VDC - 1 min
Test voltage between terminals	U T1	4'500	VDC	10 s
Test voltage between terminals to case	U T2	3'500	VAC	50 Hz - 1 min
Operating temp.		- 25 / + 70 °C		
Estimated operational life (-3%)		> 5 x 10 ⁶	Pulses	3000 V / 2500 A max 10 Hz
Dimension	Symbol	Value	Unit	Conditions
Width	B	90	mm	
Length	L	260	mm	
Height	H	135	mm	
Thread		M8 x 8	mm	
Thread spacing		60	mm	
	M1			
	M0			
	Modification	Date	Visa émetteur	

Condensateurs CH 1401 Yverdon-les-Bains
 Kondensatoren Tel.: ++41 24 445 66 88
 Capacitors Fax: ++41 24 445 66 89

Le lanché
Capacitors
A FISCHER & TANCHE COMPANY

HJJ

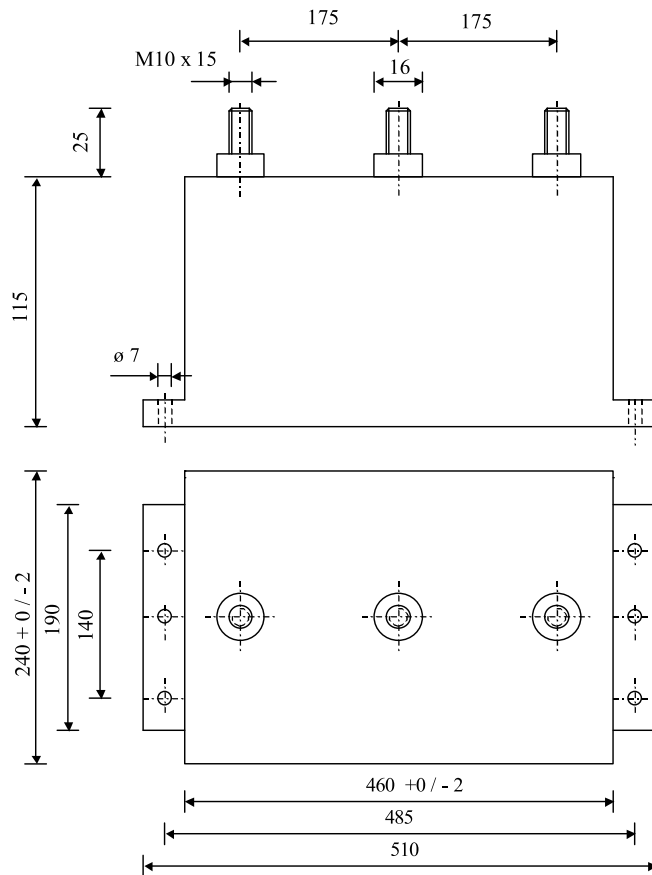
09.08.2006

faisab5589.XLS

#5734

DISCHARGE CAPACITORS

PPMF 300-2x120.0 ru K

Preliminary
Data Sheet

Estimated operational life 3 kV		
Inverse voltage	Current	Pulses
95 %	16 kA	> 30'000
80 %	10 kA	> 500'000

Dielectric
metallized polypropylenePlastic case
Resin filled

Parameter	Symbol	Value	Unit	Condition
Capacitance	C	2 x 120	μF	1 V / 1 kHz
Tolerance		± 10	%	
Rated voltage	Un DC	3'000	VDC	
Repetitive surge current	I cr. max	16	kA	
Tangente delta	tgδ	106	10 ⁻⁴	1 V / 1 kHz
Equivalent serie resistance	ESR	< 14	mΩ	10 kHz
Stray inductance	ESL	≤ 150	nH	
Insulation resistance	Ri x C	> 20'000	s	500 VDC - 1 min
Test voltage between terminals	U T1	6'000	VDC	1 min
Test voltage between terminals to case	U T2	9'000	VDC	1 min
Operating temp.		- 15 / + 60 °C		
Dimension	Symbol	Value	Unit	Conditions
Width	B	240	mm	
Height	H	115	mm	
Length	L	460	mm	
Terminals				
Thread	3 x	M10 x 15	mm	
	M1			
	M0	27.06.2008	HJJ	
	Modification	Date	Visa émetteur	

Condensateurs CH 1400 Yverdon-les-Bains
 Kondensatoren Tel.: ++41 24 445 66 88
 Capacitors Fax: ++41 24 445 66 89

Le lanché
Capacitors
A FITZNER & TALSCHER COMPANY

HJJ

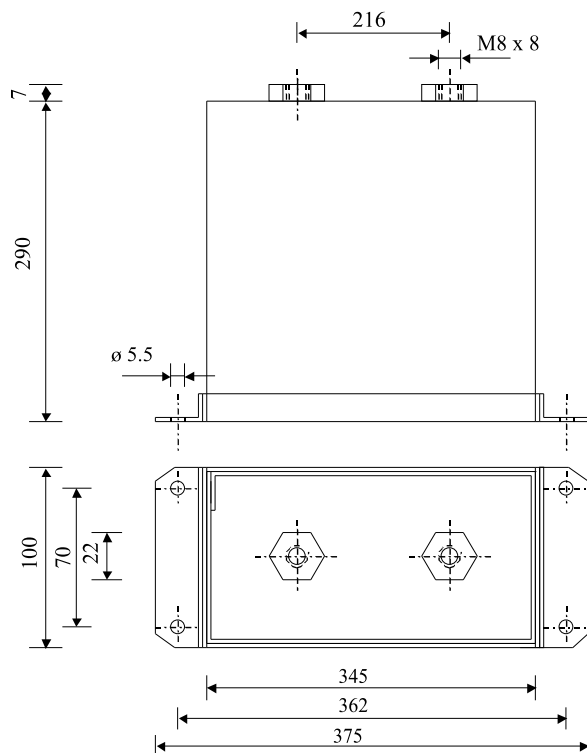
24.06.2008

faisab5734.XLS

#5465

Metallized polypropylene capacitors

PPMF 300-225.0 r K



Dielectric of metallized polypropylene

Threaded outputs

Resin end sealing

Aluminium case
thick 1.2 mm

Parameter	Symbol	Value	Unit	Condition
Capacitance	C	225	μF	1 V / 1 kHz
Tolerance		± 10	%	
Rated voltage	Un DC	3000	VDC	
Rated voltage	Un AC	800	Veff	50 Hz
RMS Current	Ieff max	60	Aeff	
slope of voltage variation	du/dt max.	11.1	V/ μsec	max. repetitive
Repetitive surge current	I cr. max	2500	A	
Tangente delta	tg δ	8	10^{-4}	1 V / 1 kHz
Equivalent serie resistance	ESR	≤ 3.3	m Ω	10 kHz
Stray inductance	ESL	≤ 150	nH	
Insulation resistance	Ri x C	$> 20'000$	s	500 VDC - 1 min
Test voltage between terminals	U T1	4800	VAC	10 s
Operating temp.		- 25 / + 70 °C		
Estimated operational life (-3%)		10^6	Pulses	2.5 kA / 3 kV reversal 30 %
Dimension	Symbol	Value	Unit	Conditions
Width	B	100	mm	
Length	L	345	mm	
Height	H	290	mm	
Thread		M8 x 8	mm	
Thread spacing		216	mm	
	M1			
	M0			
	Modification	Date	Visa émetteur	

Condensateurs CH 1401 Yverdon-les-Bains
 Kondensatoren Tel.: ++41 24 447 22 82
 Capacitors Fax: ++41 24 447 22 85

Le lanché
Capacitors
A FISCHER & TAUERNE COMPANY

289

07.01.2005

faisab5465.XLS