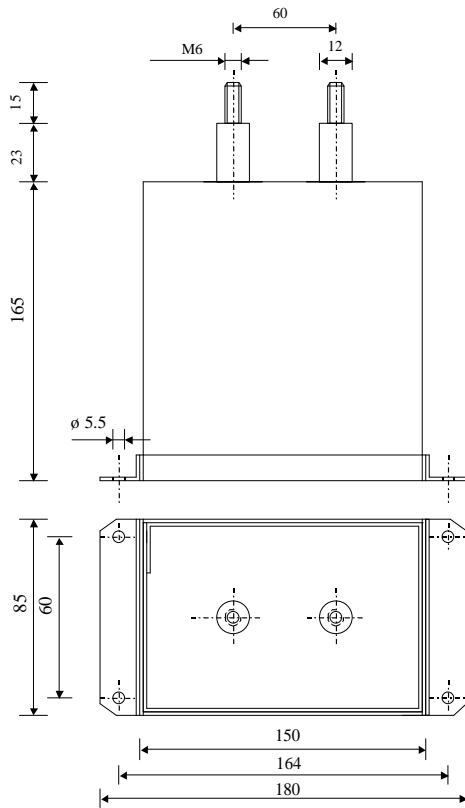


#5603

Metallized polypropylene capacitors

PPM 250-5.0 r K



Dielectric of metallized polypropylene

Threaded outputs

Resin end sealing

Aluminium case
thick 1.2 mm

Parameter	Symbol	Value	Unit	Condition
Capacitance	C	5	μF	1 V / 1 kHz
Tolerance		± 10	%	
Rated voltage	Un DC	2'500	VDC	
Rated voltage	Un AC	1100	Veff	50 to 500 Hz
RMS Current	I _{eff max}	40	A _{eff}	2 kHz to 10 kHz
slope of voltage variation	du/dt max.	500	V/ μsec	max. repetitive
Repetitive surge current	I cr. max	2500	A	
Tangente delta	tg δ	5	10^{-4}	1 V / 1 kHz
Equivalent serie resistance	ESR	≤ 8.0	m Ω	10 kHz
Stray inductance	ESL	≤ 130	nH	
Insulation resistance	Ri x C	$> 20'000$	s	100 VDC - 1 min
Test voltage between terminals	U T1	4'800	VDC	10 s
Test voltage between terminals to case	U T2	3'500	VAC	1 min
Operating temp.		- 25 / + 70 °C		
Estimated operational life (-3%)		100'000	h	Un DC / 70°C

Dimension	Symbol	Value	Unit	Conditions
Width	B	85	mm	
Length	L	150	mm	
Height	H	165	mm	
Thread		M6 x 15	mm	
Thread spacing		60	mm	

	M1			
	M0			
	Modification	Date	Visa émetteur	

Condensateurs CH 1401 Yverdon-les-Bains
 Kondensatoren Tel.: ++41 24 445 66 88
 Capacitors Fax: ++41 24 445 66 89

Le lanché
Capacitors
A FISCHER & MAUSCHER COMPANY

HJJ

20.10.2006

faisab5603.XLS