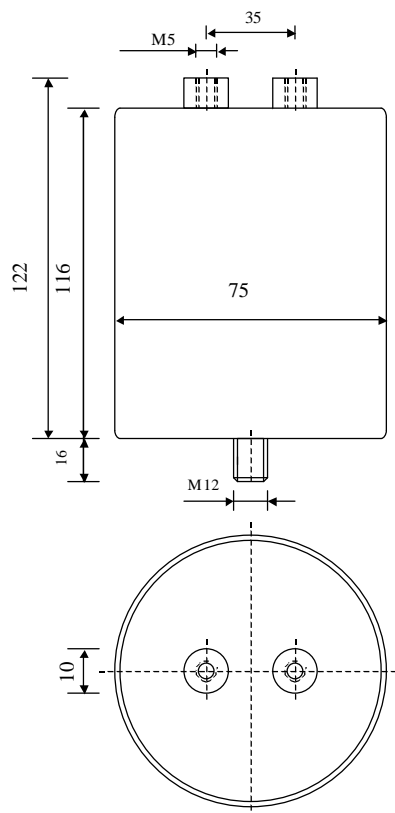


#5763

METALLIZED POLYPROPYLENE CAPACITORS

PPM 200-50.0 cv6 K



Preliminary  
data Sheet

Dielectric of metallized  
polypropylene

Threaded outputs

Resin end sealing

Aluminium case

Parameter	Symbol	Value	Unit	Condition
Capacitance	C	50	$\mu\text{F}$	1 V / 1 kHz
Tolerance		$\pm 10$	%	
Rated voltage	$U_n \text{ DC}$	2000	VDC	
Surge voltage	$U_s$	2600	V cr.	
RMS Current	$I_{\text{eff max.}}$		$A_{\text{eff}}$	
Repetitive surge current	$I \text{ cr. max}$		A	
Tangent delta	$\text{tg}\delta$	$\leq$	$10^{-4}$	1 V / 1 kHz
Equivalent serie resistance	ESR	25°C to 70°C	$\text{m}\Omega$	1 V / 10 kHz
Stray inductance	ESL	$\leq 50$	nH	
Insulation resistance	$R_i \times C$	$\geq 30'000$	s	300 VDC - 1 min
Test voltage between terminals	$U_{T1}$		VDC	10 s
Test voltage terminals to case	$U_{T2}$	5000	VAC	50 Hz / 1 min
Climatic category		27/70/56		
Estimated operational life (-5 %)			h	
Dimension	Symbol	Value	Unit	Conditions
Diameter	D	75	mm	
Height	H	116	mm	
Terminals				
Thread		M5 x 10	mm	
Thread spacing	e	35	mm	
Fixing stud		M12 x 16	mm	
Mass approx.	m		kg	
	M1			
	M0			
	Modification	Date	Visa émetteur	

Condensateurs CH 1400 Yverdon-les-Bains  
Kondensatoren Tel.: ++41 24 447 22 82  
Capacitors Fax: ++41 24 447 22 85

**Le Janché**  
Capacitors  
A FISCHER & PAUSCHER COMPANY

HJJ

17.11.2008

faisab5763.XLS