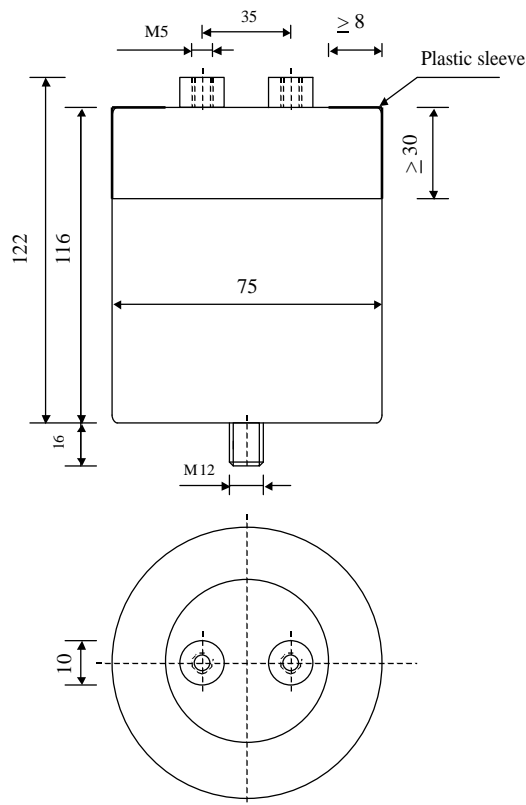


#5763

METALLIZED POLYPROPYLENE CAPACITORS

PPM 200-50.0 cv6 K



Dielectric of metallized polypropylene

Threaded outputs

Resin end sealing

Aluminium case

Parameter	Symbol	Value	Unit	Condition
Capacitance	C	50	μF	1 V / 1 kHz
Tolerance		± 10	%	
Rated voltage	$U_n \text{ DC}$	2000	VDC	
Surge voltage	U_s	2600	V cr.	
RMS Current	$I_{\text{eff max.}}$	20	A _{eff}	1 kHz to 10 kHz
Repetitive surge current	$I \text{ cr. ma.}$	1200	A	
Tangent delta	$\text{tg}\delta$	≤ 26	10^{-4}	1 V / 1 kHz
Equivalent serie resistance	ESR	25°C to 70°C	7.5	$\text{m}\Omega$ / 1 V / 10 kHz
Stray inductance	ESL	≤ 50	nH	
Insulation resistance	$R_i \times C$	$\geq 30'000$	s	500 VDC - 1 min
Test voltage between terminals	U_{T1}	3000	VDC	10 s
Test voltage terminals to case	U_{T2}	5000	VAC	50 Hz / 1 min
Climatic category		27/70/56		
Estimated operational life (-5 %)		30'000	h	2000 V / I_n / 70°C
		30'000	h	2000 V / 30°C

Dimension	Symbol	Value	Unit	Conditions
Diameter	D	75	mm	
Height	H	116	mm	
Terminals				
Thread		M5 x 10	mm	
Thread spacing	e	35	mm	
Fixing stud		M12 x 16	mm	
Mass approx.	m	700	g	
	M1			
	M0			
	Modification	Date	Visa émetteur	

Condensateurs CH 1400 Yverdon-les-Bains
 Kondensatoren Tel.: ++41 24 447 22 82
 Capacitors Fax: ++41 24 447 22 85

Le Janché
 Capacitors
A FISCHER & FAUSCHÉ COMPANY

HJJ

20.11.2008

faisab5763.XLS