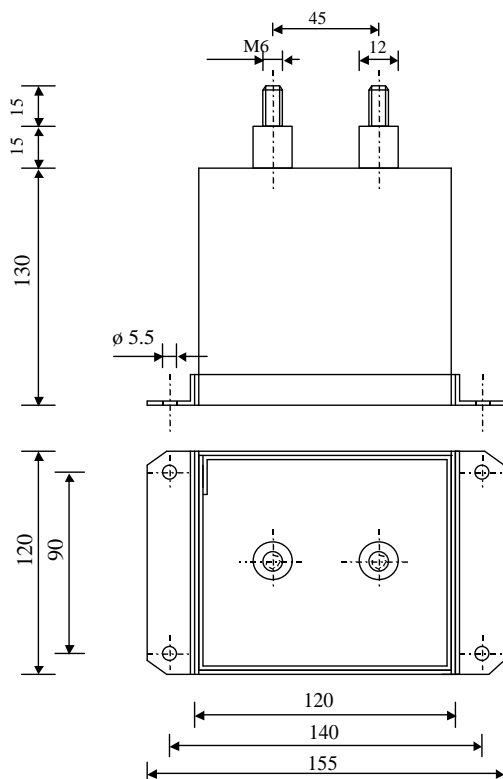


#5711

Filter capacitors

PPM 200-20.0 r K



Dielectric of metallized polypropylene

Threaded outputs

Epoxy resin end sealing

Aluminium case

Parameter	Symbol		Value	Unit	Condition
Capacitance	C		20	μF	1 V / 1 kHz
Tolerance			± 10	%	
Rated voltage	$U_n \text{ DC}$		2000	VDC	
Peak voltage	U_{cr}		4000	VDC	
Rated voltage	$U_n \text{ AC}$		1000	V_{eff}	50 Hz
RMS Current	I_{eff}		22	A_{eff}	$f \geq 175 \text{ Hz}$
slope of voltage variation	$du/dt \text{ max.}$		50	V/ μsec	max. repetitive
Repetitive surge current	$I \text{ cr. max}$		1000	A	
Tangent delta	$tg\delta$		32	10^{-4}	1 V / 1 kHz
Equivalent serie resistance	ESR		≤ 24	m Ω	10 kHz
Stray inductance	ESL		≤ 500	nH	
Insulation resistance	$R_i \times C$		$> 20'000$	s	500 VDC - 1 min
Test voltage between terminals	$U \text{ T1}$		4800	VDC	10 s
Test voltage terminals to case	$U \text{ T2}$		5000	VDC	1 min
Operating temp.			- 25 / + 70 °C		
Estimated operational life (-3%)			100'000	h	$U_n \text{ DC} - 70^\circ\text{C}$
Dimension	Symbol			Unit	Conditions
Width	B		120	mm	
Length	L		120	mm	
Height	H		130	mm	
Thread			M6 x 15	mm	
Thread spacing			45	mm	
	M1				
	M0	31.03.2008	HJJ		
	Modification	Date	Visa émetteur		

Condensateurs CH 1400 Yverdon-les-Bains

Kondensatoren Tel.: ++41 24 445 66 88

Capacitors Fax: ++41 24 445 66 89

Le lanché
Capacitors
A FISCHER & TAUSSIG COMPANY

HJJ

28.03.2008

faisab5711.XLS