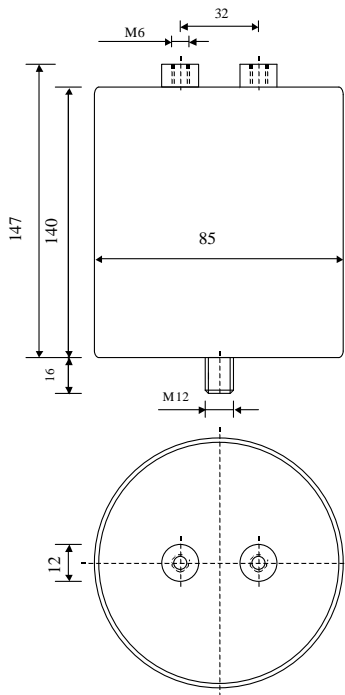


#5740

METALLIZED POLYPROPYLENE CAPACITORS

PPM 150-83.3 cv6 J



Dielectric of metallized polypropylene

Threaded outputs

Resin end sealing

Aluminium case

Parameter	Symbol	Value	Unit	Condition
Capacitance	C	83.3	μF	1 V / 1 kHz
Tolerance		± 5	%	
Rated voltage	Un DC	1500	VDC	
Rated voltage	Un AC	400	VAC	
Surge voltage	Us	2540	V cr.	
RMS Current	I _{eff max.}	30	A _{eff}	
Repetitive surge current	I _{cr. max}	1500	A	
Tangent delta	tg δ	≤ 47	10^{-4}	1 V / 1 kHz
Equivalent serie resistance	ESR	25°C to 70 °C	9	m Ω 1 V / 10 kHz
Stray inductance	ESL	≤ 150	nH	
Insulation resistance	Ri x C	$\geq 30'000$	s	300 VDC - 1 min
Test voltage between terminals	U T1	3000	VDC	10 s
Test voltage terminals to case	U T2	5000	VAC	50 Hz / 1 min
Climatic category		25/70/56		
Estimated operational life (-5 %)		$> 160'000$	h	Un DC

Dimension	Symbol	Value	Unit	Conditions
Diameter	D	85	mm	
Height	H	140	mm	
Terminals				
Thread		M6 x 10	mm	
Thread spacing		32	mm	
Fixing stud		M12 x 16	mm	
	M1			
	M0			
	Modification	Date	Visa émetteur	

Condensateurs CH 1400 Yverdon-les-Bains
 Kondensatoren Tel.: ++41 24 447 22 82
 Capacitors Fax: ++41 24 447 22 85

Le Janché
Capacitors
A FISCHER & FAUDSCHER COMPANY

HJJ

14.07.2008

faisab5740.XLS