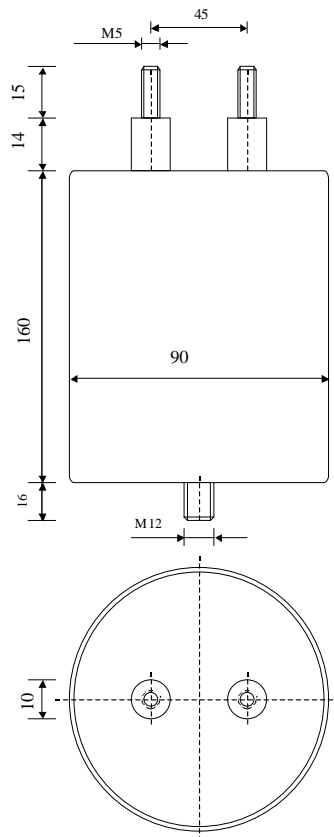


#5743

METALLIZED POLYPROPYLENE CAPACITORS

PPM 150-60.0 cv5 J



Dielectric of metallized polypropylene

Threaded outputs

Resin end sealing

Aluminium case

Parameter	Symbol	Value	Unit	Condition
Capacitance	C	60	$\mu\text{F}$	1 V / 1 kHz
Tolerance		$\pm 5$	%	
Rated voltage	Un DC	1500	VDC	
Rated voltage	Un AC	400	VAC	
Surge voltage	Us	2600	V cr.	
RMS Current permanent	I <sub>eff max.</sub>	35	A <sub>eff</sub>	
Repetitive surge current	I <sub>cr. max</sub>	2500	A	
Tangent delta	tg $\delta$	$\leq 17$	$10^{-4}$	1 V / 1 kHz
Equivalent serie resistance	ESR	25 °C to 70 °C	4	m $\Omega$ / 1 V / 10 kHz
Stray inductance	ESL		$\leq 70$	nH
Insulation resistance	Ri x C		$\geq 30'000$	s / 300 VDC - 1 min
Test voltage between terminals	U T1		3000	VDC / 10 s
Test voltage terminals to case	U T2		5000	VAC / 50 Hz / 1 min
Climatic category			25/70/56	
Estimated operational life (-5 %)			$> 160'000$	h / Un DC

Dimension	Symbol	Value	Unit	Conditions
Diameter	D	90	mm	
Height	H	160	mm	
Terminals				
Thread		M5 x 15	mm	
Thread spacing		45	mm	
Fixing stud		M12 x 16	mm	
Mass approx.		1400	g	
	M1			
	M0	25.08.2008	HJJ	
	Modification	Date	Visa émetteur	

Condensateurs CH 1400 Yverdon-les-Bains  
 Kondensatoren Tel.: ++41 24 447 22 82  
 Capacitors Fax: ++41 24 447 22 85

**Le Janché**  
**Capacitors**  
A FISCHER & FAUDSCHER COMPANY

HJJ

12.08.2008

faisab5743.XLS