

Application: DC/AC capacitor for general use in power electronics
also for nonsinusoidal voltages and currents

Order code: PPM 150-26.0 uv (J)

Standards: acc. to IEC 61071:2007

Approval mark:  UL810
CSA C22.2 No. 190 -M1985

Characteristics

Rated capacitance	C_N	26 µF ±5%
Rated d.c. voltage	U_{NDC}	1500 V d.c.
Rated a.c. voltage	U_{NAC}	740 V a.c.
Max. rms voltage (sinusoidal)	U_{rms}	520 V
Non-recurrent surge voltage	u_s	2250 V
Rated energy	W_N	29.3 Ws
Maximum current	I_{max}	100 A
Maximum peak current	î	2.6 kA
Maximum surge current	I_s	8 kA
Series resistance	R_s	0.23 mΩ
dielectric dissipation factor	tanδ_o	2 x10 ⁻⁴
Self discharge time const.	C x R_{is}	5000 s
Self-inductance	L_e	15 nH

Thermal conditions

Lowest operating temperature	Θ_{min}	-25 °C
Maximum operating temperature	Θ_{max}	85 °C
Storage temperature	Θ_{storage}	-40...+85 °C
Thermal resistance	R_{th}	4.2 K/W
Humidity class		G

Statistical lifetime > 200000 h

Failure rate < 100 FIT*

at **Θ_{hotspot}** ≤ 70 °C

* See FIT-RATE diagram on pg.3

Test data

Voltage test between terminals **U_{TT}** 2250 V DC/10s

Dimensions

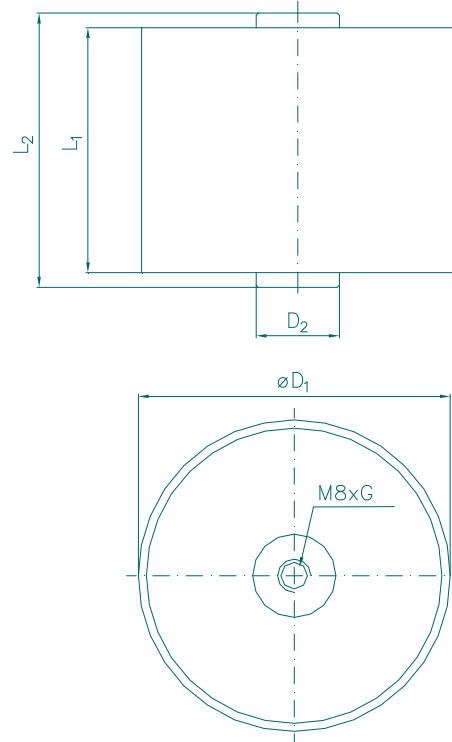
Rated diameter	D₁	105 (±1) mm
Length of the case	L₁	59 (±1) mm
total Length	L₂	66 (±1) mm
Terminal	G	M8 x 10 mm
Diameter of terminals	D₂	20 mm
Clearance in air	L	144 mm
Creepage distance	K	144 mm

Approx weight 0.67 kg

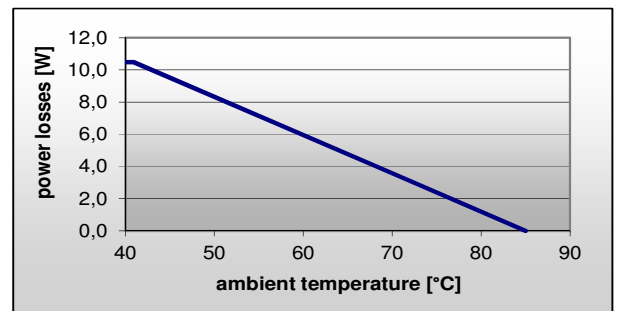
Mechanical characteristics

Dielectric	metallized polypropylene capacitor, selfhealing
Construction	plastic case with resin moulded winding, UL94: V0
Protection	without internal fuse, to be used only in uncritical environment
Terminals	screw base, inside thread
Impregnant	no liquid impregnants, filled with solidified PUR resin,non PCB
Fire load	26,8MJ

outline drawing



permitted power losses during continuous operation



The export of this item may be subject to German export control regulations!