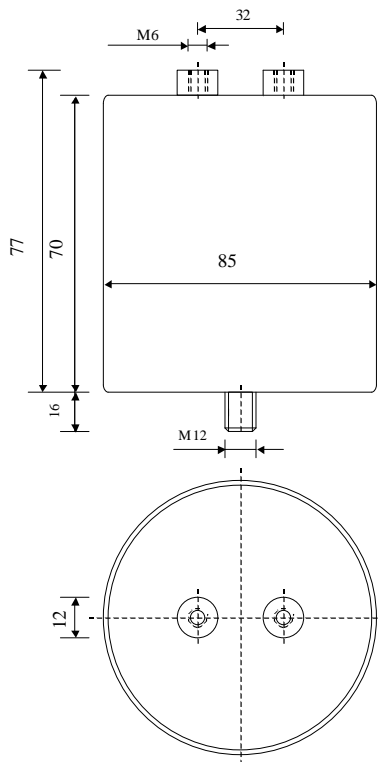


#5741

METALLIZED POLYPROPYLENE CAPACITORS

PPM 150-20.0 cv6 J



Dielectric of metallized polypropylene

Threaded outputs

Resin end sealing

Aluminium case

Parameter	Symbol	Value	Unit	Condition
Capacitance	C	20	μF	1 V / 1 kHz
Tolerance		± 5	%	
Rated voltage	Un DC	1500	VDC	
Rated voltage	Un AC	400	VAC	
Surge voltage	Us	2600	V cr.	
RMS Current	$I_{\text{eff max.}}$	30	A _{eff}	
Repetitive surge current	$I_{\text{cr. max}}$	1500	A	
Tangent delta	$\text{tg}\delta$	≤ 7	10^{-4}	1 V / 1 kHz
Equivalent serie resistance	ESR	4	$\text{m}\Omega$	25°C to 70 °C 1 V / 10 kHz
Stray inductance	ESL	≤ 120	nH	
Insulation resistance	$R_i \times C$	$\geq 30'000$	s	300 VDC - 1 min
Test voltage between terminals	U T1	3000	VDC	10 s
Test voltage terminals to case	U T2	5000	VAC	50 Hz / 1 min
Climatic category		25/70/56		
Estimated operational life (-5 %)		$> 160'000$	h	Un DC

Dimension	Symbol	Value	Unit	Conditions
Diameter	D	85	mm	
Height	H	70	mm	
Terminals				
Thread		M6 x 10	mm	
Thread spacing		32	mm	
Fixing stud		M12 x 16	mm	
Mass approx.		500	g	

M1

M0

Modification

Date

Visa émetteur

Condensateurs
Kondensatoren
Capacitors

CH 1400 Yverdon-les-Bains
Tel.: ++41 24 447 22 82
Fax: ++41 24 447 22 85

Le lanché
Capacitors
A FISCHER & FAUSCHÉ COMPANY

HJJ

17.07.2008

faisab5741.XLS