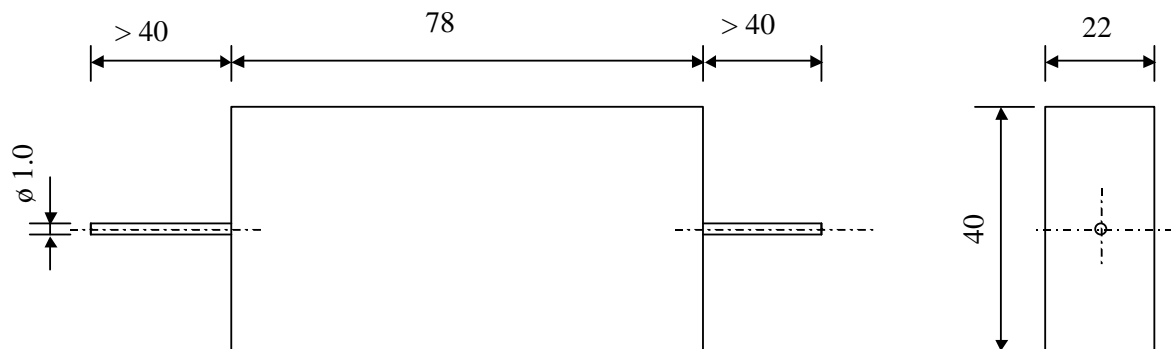


#5747

METALLIZED POLYPROPYLENE CAPACITORS

PPM 1200-110 ru K



Dielectric of metallized polypropylene

Plastic case - resin filled

Parameter	Symbol	Value	Unit	Condition
Capacitance	C	0.01	$\mu\text{F}$	1 V / 1 kHz
Tolerance		$\pm 10$	%	
Rated voltage	Un DC	12'000	VDC	
Rated voltage	Un AC	6300	VAC	50 Hz
slope of voltage variation	du/dt max.	3000	V/ $\mu\text{sec}$	max. repetitive
Repetitive surge current	I cr. max	30	A	
Tangente delta	tg $\delta$	6	$10^{-4}$	1 V / 1 kHz
Tangente delta	tg $\delta$	12	$10^{-4}$	1 V / 10 kHz
Stray inductance	ESL	$\leq 150$	nH	
Insulation resistance	Ri	$> 100'000$	M $\Omega$	300 VDC - 1 min
Test voltage between terminals	U T1	18'000	VDC	1 min
Climatic category		40/85/56		
Estimated operational life (-3%)		100'000	h	Un DC / 70°C
Dimension	Symbol	Value	Unit	Conditions
Width	B	$40 \pm 1$	mm	
Height	H	$22 \pm 1$	mm	
Length	L	$78 \pm 1$	mm	
Terminals				
Axial tinned wire	d	$\varnothing 1.0 \times 40$	mm	
	M1			
	M0			
	Modification	Date	Visa émetteur	

Condensateurs CH 1400 Yverdon-les-Bains  
 Kondensatoren Tel.: ++41 24 445 66 88  
 Capacitors Fax: ++41 24 445 66 89

**Le lanché**  
**Capacitors**  
AFRISOHEIM & VALESCHE COMPANY

HJJ

03.09.2008

faisab5747.XLS