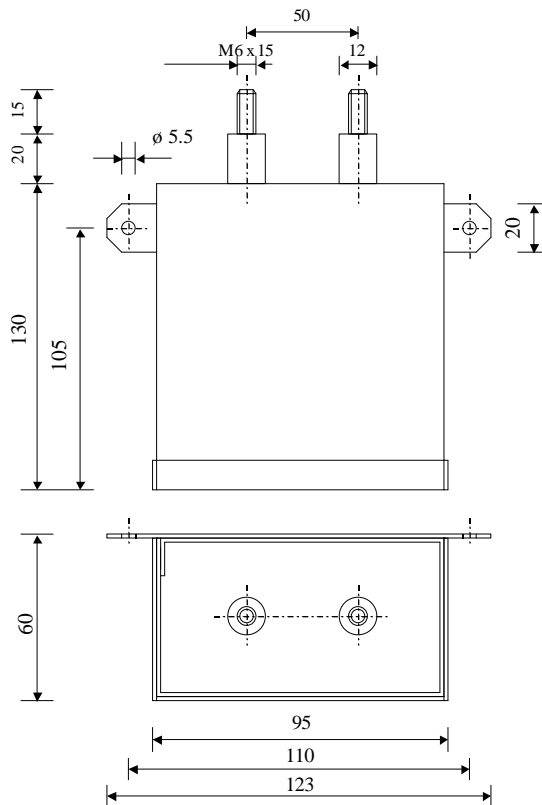


#5885

Metallized polypropylene capacitors

PPM 1100-1.0 r K



Dielectric of metallized polypropylene

Threaded outputs

Resin end sealing

Aluminium case thick 1.2 mm

Parameter	Symbol	Value	Unit	Condition
Capacitance	C	1	μF	1 V / 1 kHz
Tolerance		± 10	%	
Rated voltage	Un DC	11'000	VDC	
Rated voltage	Un AC	2000	Veff	50 to 60 Hz
RMS Current	Ieff	5	Aeff	20 kHz
slope of voltage variation	du/dt max.	300	V/ μsec	max. repetitive
Repetitive surge current	I cr. max	300	A	
Tangent delta	tg δ	6	10^{-4}	1 V / 1 kHz
Equivalent serie resistance	ESR	≤ 44	m Ω	10 kHz
Stray inductance	ESL	≤ 150	nH	
Insulation resistance	Ri x C	$> 20'000$	s	500 VDC - 1 min
Test voltage between terminals	U T1	15'000	VDC	10 s
Test voltage between terminals to case	U T2	15'000	VDC	1 min
Operating temp.		- 25 / + 70 °C		
Estimated operational life (-3%)		50'000	h	Un DC / 45°C

Dimension	Symbol	Value	Unit	Conditions
Width	B	60	mm	
Length	L	95	mm	
Height	H	130	mm	
Thread		M6 x 15	mm	
Thread spacing		50	mm	
	M1			
	M0	15.12.2009	HJJ	
	Modification	Date	Visa émetteur	

Condensateurs CH 1400 Yverdon-les-Bains
 Kondensatoren Tel.: ++41 24 445 66 88
 Capacitors Fax: ++41 24 445 66 89

Le lanché
Capacitors
A FISCHER & TAUCCHE COMPANY

HJJ

08.12.2009

faisab5885.XLS