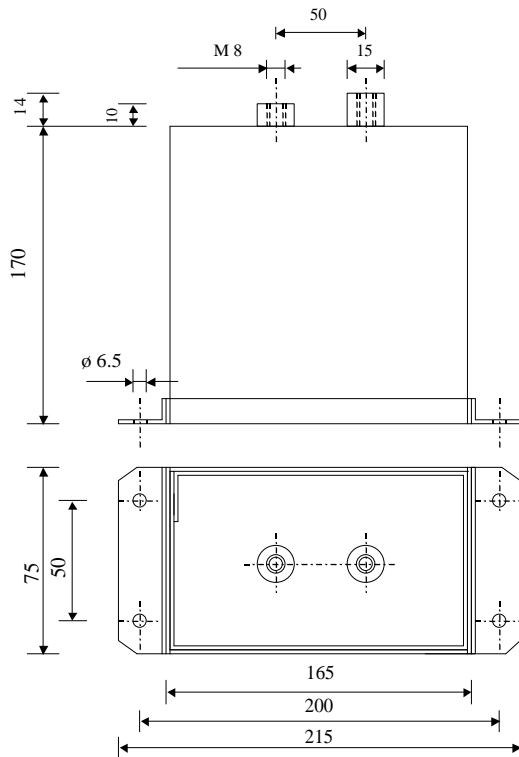


#5606

Filtering Capacitors

PPM 110-500.0 r K



Preliminary
datasheet

Dielectric of metallized
polypropylene

Threaded outputs

Resin end sealing

Aluminium case
thick 1.2 mm

Parameter	Symbol		Value	Unit	Condition
Capacitance	C		500	μF	1 V / 1 kHz
Tolerance			± 10	%	
Rated voltage	Un DC		1'100	VDC	
Rated voltage	Un AC		180	VAC	
Maximum voltage	Us max.		1'250	V	non. rep.
RMS Current	I _{eff} max		150	A _{eff}	
Tangente delta dielectric	tg δ_o		2	10^{-4}	
Serie resistance	RS		≤ 0.65	m Ω	
Thermal resistance	R _{th}		1.9	$^{\circ}\text{C} / \text{W}$	hot spot - ambient
Stray inductance	ESL		≤ 33	nH	
Insulation resistance	Ri x C		$> 20'000$	s	500 VDC - 1 min
Test voltage between terminals	U T1		1'650	VDC	10 s
Test voltage between terminals to case	U T2		3'500	VAC	10 s
Climatic category (IEC 60068)			40/85/56		
Estimated operational life (-3%)			100'000	h	Un DC / 70 $^{\circ}\text{C}$
Dimension	Symbol			Unit	Condition
Width	B		75	mm	
Length	L		165	mm	
Height	H		170	mm	
Thread			M8	mm	
Thread spacing			50	mm	
	M1				
	M0				
	Modification	Date	Visa émetteur		

Condensateurs CH 1401 Yverdon-les-Bains
 Kondensatoren Tel.: ++41 24 445 66 88
 Capacitors Fax: ++41 24 445 66 89

Le lanché
Capacitors
A FISCHER & TALENCE COMPANY

HJJ

26.10.2006

faisab5606.XLS