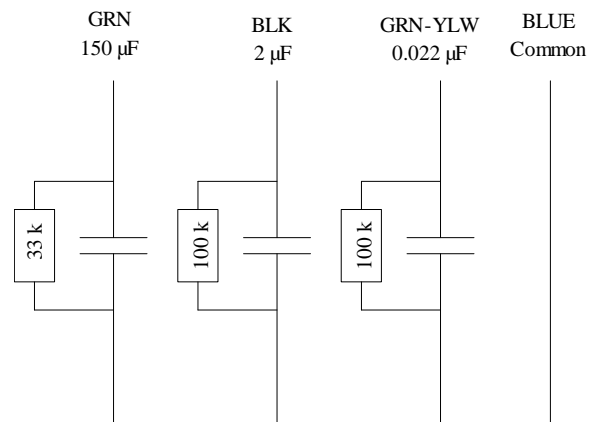
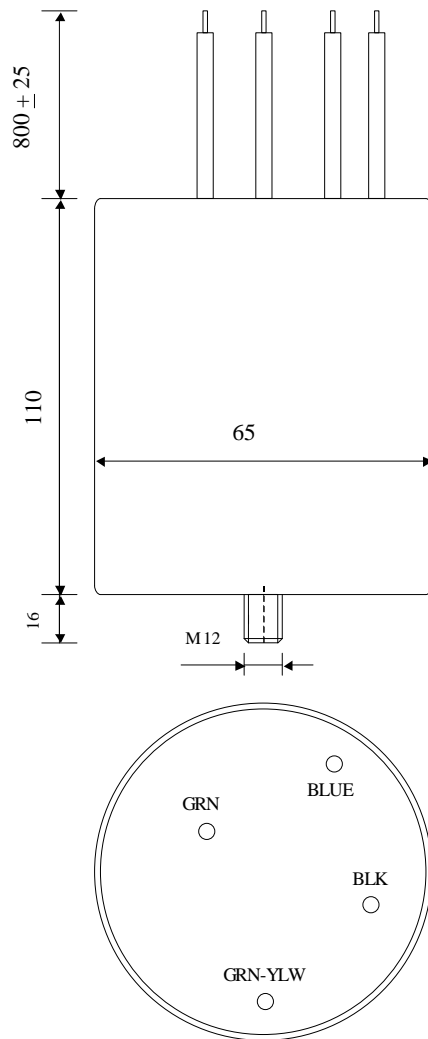


#5750**METALLIZED POLYPROPYLENE CAPACITORS****PAM 27-3x cv3 K**

Dielectric of metallized polypropylene

Resin end sealing

Aluminium case

Parameter	Symbol	Value	Unit	Condition
Capacitance	C	150	μF	1 V / 1 kHz
Tangent delta	tgδ	< 3.6	%	1 V / 1 kHz
Capacitance	C	2	μF	1 V / 1 kHz
Tangent delta	tgδ	< 0.2	%	1 V / 1 kHz
Capacitance	C	0.022	μF	1 V / 1 kHz
Tangent delta	tgδ	< 8	%	1 V / 1 kHz
Tolerance (Capacitance)		± 10	%	
Rated voltage	Un AC	270	VAC	
Test voltage between terminals	U T1	600	VDC	1 min
Test voltage terminals to case	U T2	2500	VAC	50 Hz / 2 sec.
Utilisation temperature		-25 °C / ° 70 °C		
Dimension	Symbol		Unit	Condition
Diameter	D	65	mm	
Height	H	110	mm	
Terminals				
PVC cable	4 x	1	mm ²	
	M1			
	M0			
	Modification	Date	Visa émetteur	

Condensateurs CH 1400 Yverdon-les-Bains
 Kondensatoren Tel.: ++41 24 445 66 88
 Capacitors Fax: ++41 24 445 66 89

Le lanché
Capacitors
A FROEYER & SAUNDERS COMPANY

HJJ

08.09.2008

faisab5750.XLS