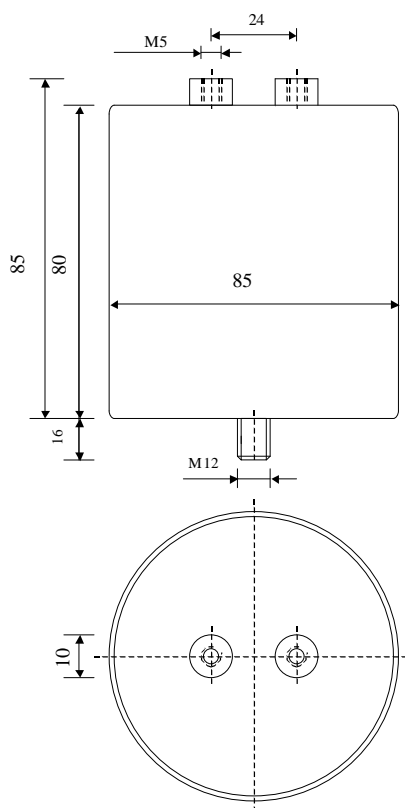


#5738

METALLIZED POLYPROPYLENE CAPACITORS

PAM 26-60.0 cv6 J



Dielectric of metallized polypropylene

Threaded outputs

Epoxy resin end sealing

Aluminium case

Parameter	Symbol	Value	Unit	Condition
Capacitance	C	60	μF	1 V / 1 kHz
Tolerance		± 5	%	
Rated voltage	Un AC	260	VAC	
Surge voltage	Us	1000	V cr.	
RMS Current	I _{eff max.}	30	A _{eff}	10 kHz
Repetitive surge current	I _{cr. max}	1000	A	
Tangent delta	tg δ	≤ 15	10^{-4}	1 V / 1 kHz
Equivalent serie resistance	ESR	3	m Ω	25°C to 70°C 1 V / 10 kHz
Stray inductance	ESL	≤ 150	nH	
Insulation resistance	Ri x C	$\geq 30'000$	s	300 VDC - 1 min
Test voltage between terminals	U T1	1500	VDC	10 s
Test voltage terminals to case	U T2	2500	VAC	50 Hz / 1 min
Climatic category		27/70/56		
Estimated operational life (-5 %)		$> 160'000$	h	Un AC
Weight		~ 500	g	

Dimension	Symbol	Value	Unit	Conditions
Diameter	D	85	mm	
Height	H	80	mm	
Terminals				
Thread		M5 x 10	mm	
Thread spacing	e	24	mm	
Fixing stud		M12 x 16	mm	

M1

M0

Modification

Date

Visa émetteur

Condensateurs CH 1400 Yverdon-les-Bains

Kondensatoren Tel.: ++41 24 447 22 82

Capacitors Fax: ++41 24 447 22 85

Le Janché
Capacitors
A FISCHER & TAUSSCH COMPANY

HJJ

02.07.2008

faisab5738.XLS