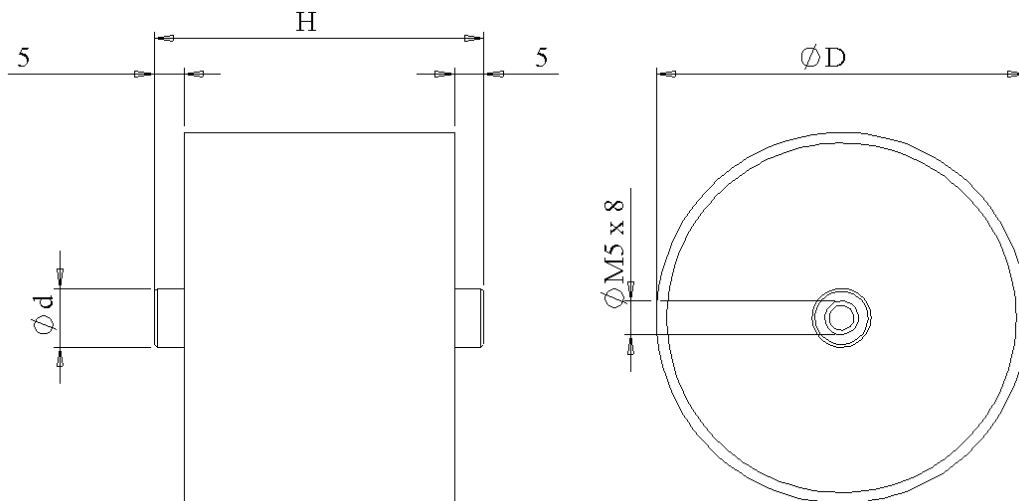
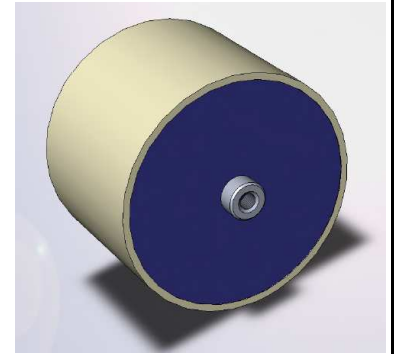


#6157

HIGH VOLTAGE METALLIZED CAPACITORS

PAM 20-075 uv1 K

Dielectric of metallized polypropylene - Plastic tube  
resin end sealing - Threaded outputs



Parameter	Symbol		Value	Unit	Condition
Capacitance	C		0.75	$\mu\text{F}$	1 V / 1 kHz
Tolerance			$\pm 10$	%	
Rated voltage	Un AC		200	VRMS	
Tangent delta	tg $\delta$		5	10-4	1 V / 1 kHz
Equivalent series resistance	ESR		< 10.0	m $\Omega$	1 V / 10 kHz
Stray inductance	ESL		< 15	nH	
Insulation resistance	Ri		> 100'000	M $\Omega$	500 VDC - 1 min
Test voltage between terminals	U T1		500.00	VAC	50 Hz / 1 min
Partial discharge Test after test voltage U	Ui		< 10	pC	250 VAC
Partial discharge Test after test voltage U	Ui		< 5	pC	150 VAC
Lightning Impulse ( 1.2 / 50 $\mu\text{s}$ )	V cr.		+ 1.1	kV	10 x
Lightning Impulse ( 1.2 / 50 $\mu\text{s}$ )	V cr.		- 1.1	kV	10 x
Operating Temperature			-40 / + 70	$^{\circ}\text{C}$	
Dimension	Symbol			Unit	Conditions
Diameter	D		63	mm	
Height	H		56	mm	
Terminals					
Thread			M5 x 8	mm	
	$\phi d$		10	mm	
	M1				
	M0				
	Modification	Date	Visa émetteur		

Condensateurs CH 1400 Yverdon, Switzerland  
Kondensatoren Tel.: ++41 24 445 66 88  
Capacitors Fax: ++41 24 445 66 89

**Leclanché**  
Capacitors  
A FISCHER & TAUSSCHER COMPANY

HJJ

www.Lcap.ch  
06.02.2013

capinfo@Lcap.ch  
faisab6157.XLS