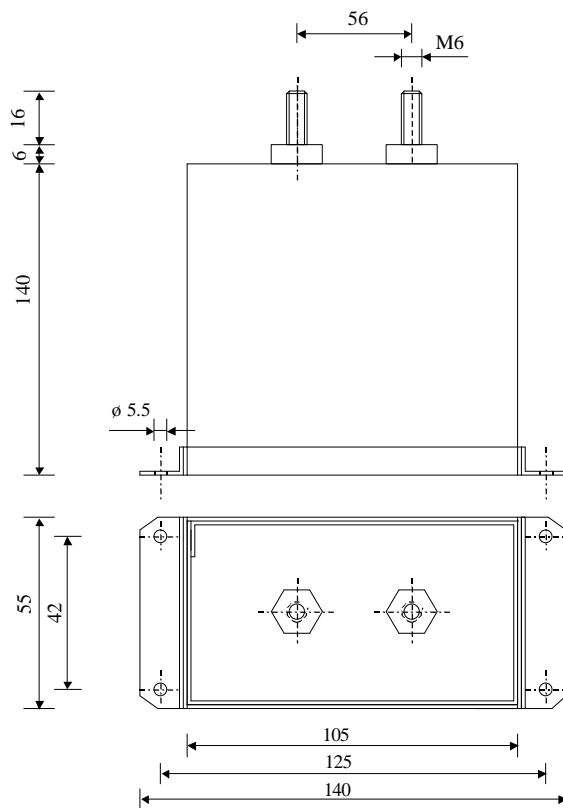


#5836

Filter capacitors

PAM 120-8.0 r K



Dielectric of metallized polypropylene

Threaded outputs

Epoxy resin end sealing

Aluminium case

Parameter	Symbol		Value	Unit	Condition
Capacitance	C		8	μF	1 V / 1 kHz
Tolerance			± 10	%	
Rated voltage	$U_n \text{ AC}$		1200	V_{eff}	50 - 100 Hz
RMS Current	I_{eff}		16	A_{eff}	10 kHz
slope of voltage variation	$du/dt \text{ max.}$		150	$V/\mu\text{sec}$	max. repetitive
Repetitive surge current	$I \text{ cr. max}$		1200	A	
Tangent delta	$\text{tg}\delta$		20	10^{-4}	1 V / 1 kHz
Equivalent serie resistance	ESR		≤ 35	$\text{m}\Omega$	10 kHz
Stray inductance	ESL		≤ 70	nH	
Insulation resistance	$R_i \times C$		$> 20'000$	s	500 VDC - 1 min
Test voltage between terminals	U T1		5000	VDC	10 s
Test voltage terminals to case	U T2		3500	VAC	1 min
Operating temp.			$- 25 / + 70 \text{ }^\circ\text{C}$		
Dimension	Symbol			Unit	Conditions
Width	B		55	mm	
Length	L		105	mm	
Height	H		140	mm	
Terminals					
Thread			M6 x 16	mm	
Thread spacing			56	mm	
	M1				
	M0				
	Modification	Date	Visa émetteur		

Condensateurs CH 1400 Yverdon-les-Bains
 Kondensatoren Tel.: ++41 24 445 66 88
 Capacitors Fax: ++41 24 445 66 89

Le Janché
Capacitors
A FROBEN & LANGSCHE COMPANY

HJJ

13.08.2009

faisab5836.XLS