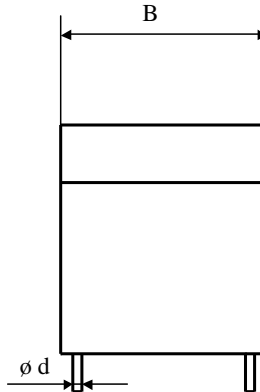
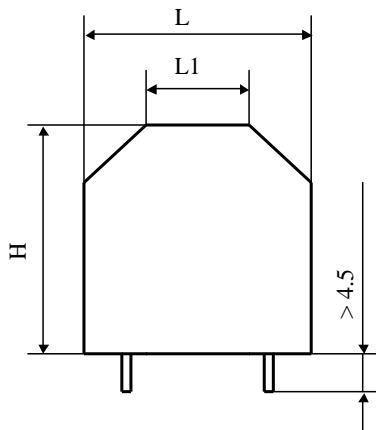
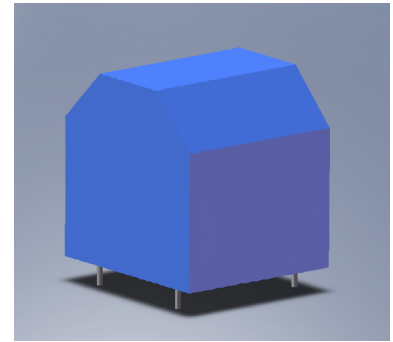
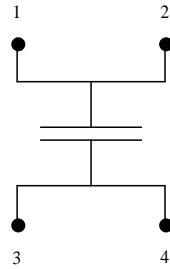
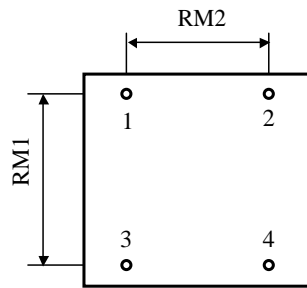


#5950

METALLIZED POLYESTER CAPACITORS

MKTJC-4 7.5-250.0 g K



Printed circuit board mounting

Self-extinguishing plastic housing

Epoxy resin sealing

Parameter	Symbol		Value	Unit	Condition
Capacitance	C		250	μF	1 V / 1 kHz
Tolerance			± 10	%	
Rated voltage	Un DC		75	VDC	
Rated voltage	Un AC		12.5	Veff	50 Hz to 500 Hz
RMS current	I RMS max.		20	Aeff	12 kHz
slope of voltage variation	du/dt max.		4.6	V/ μsec	max. repetitive
Repetitive surge current	I cr. max		1150	A	
Equivalent serie resistance	ESR		2.7	m Ω	1 V / 10 kHz
Stray inductance	ESL		≤ 15	nH	
Insulation resistance	Ri x C		> 1'500	s	75 VDC - 1 min
Test voltage between terminals	U T1		113	VDC	10 s
Climatic category			40/105/56		
Estimated operational life (-3%)			> 100'000	h	Un DC / 70°C
Dimension	Symbol			Unit	Conditions
Width	B		36	mm	
Length	L		40	mm	
	L1		18	mm	
Height	H		40	mm	
Terminals tinned wire	ϕd		1.2	mm	
RM1			30	mm	
RM2			25	mm	
	M1				
	M0				
	Modification	Date	Visa émetteur		

Condensateurs CH 1400 Yverdon, Switzerland
 Kondensatoren Tel.: ++41 24 445 66 88
 Capacitors Fax: ++41 24 445 66 89

Lecdanché
Capacitors
A FISCHER & TAUSSCHÉ COMPANY

HJJ

www.Lcap.ch
 16.08.2010

capinfo@Lcap.ch
 faisab5950.XLS