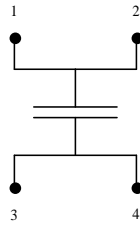
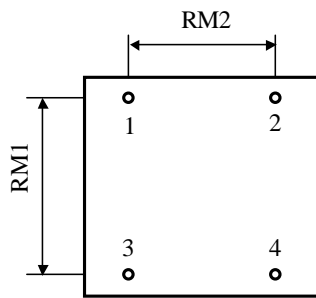


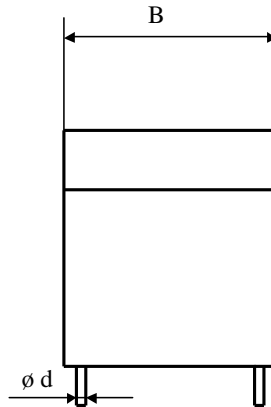
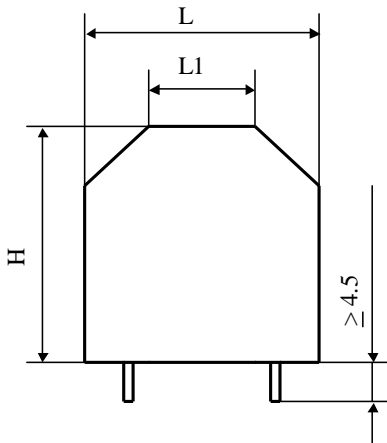
#5824

Power Electronics Capacitors

MKTJC-4 25-47.0 g K



Printed circuit board mounting



Self-extinguishing plastic housing

Dielectric of metallized polyester

Epoxy resin sealing

Parameter	Symbol	Value	Unit	Condition
Capacitance	C	47	μF	1 V / 1 kHz
Tolerance		± 10	%	
Rated voltage	Un DC	250	VDC	
Rated voltage	Un AC	70	Veff	50 to 150 Hz
RMS current	I RMS max.	20	Aeff	20 kHz to 100 kHz
slope of voltage variation	du/dt max.	20	V/ μsec	max. repetitive
Repetitive surge current	I cr. max	940	A	
Tangent delta	tg δ	≤ 80	10^{-4}	1 kHz
Equivalent serie resistance	ESR	≤ 3.6	m Ω	1 V / 100 kHz
Stray inductance	ESL	≤ 15	nH	
Insulation resistance	Ri x C	$> 10^4$	s	100 VDC - 1 min
Test voltage between terminals	U T1	400	VDC	10 s
Operating temperature		$-25^{\circ}\text{C} / + 85^{\circ}\text{C}$		
Estimated operational life (-3%)		$> 100^4$	h	Un DC / 40 $^{\circ}\text{C}$ 18 A RMS / 100 kHz
Dimension	Symbol		Unit	Conditions
Width	B	36	mm	
Length	L	40	mm	
	L1	18	mm	
Height	H	40	mm	
Terminals tinned wire	ϕd	1.2	mm	
RM1		30	mm	
RM2		25	mm	
	M1			
	M0			
	Modification	Date	Visa émetteur	

Condensateurs CH 1400 Yverdon-les-Bains
 Kondensatoren Tel.: ++41 24 445 66 88
 Capacitors Fax: ++41 24 445 66 89

Le lanché
Capacitors
A FISCHER & TROSCHE COMPANY

HJJ

29.05.2009

faisab5824.XLS